



SPARE PARTS EXPLODED VIEW GAS BURNERS

Model

CB-VG1 E (/TC)

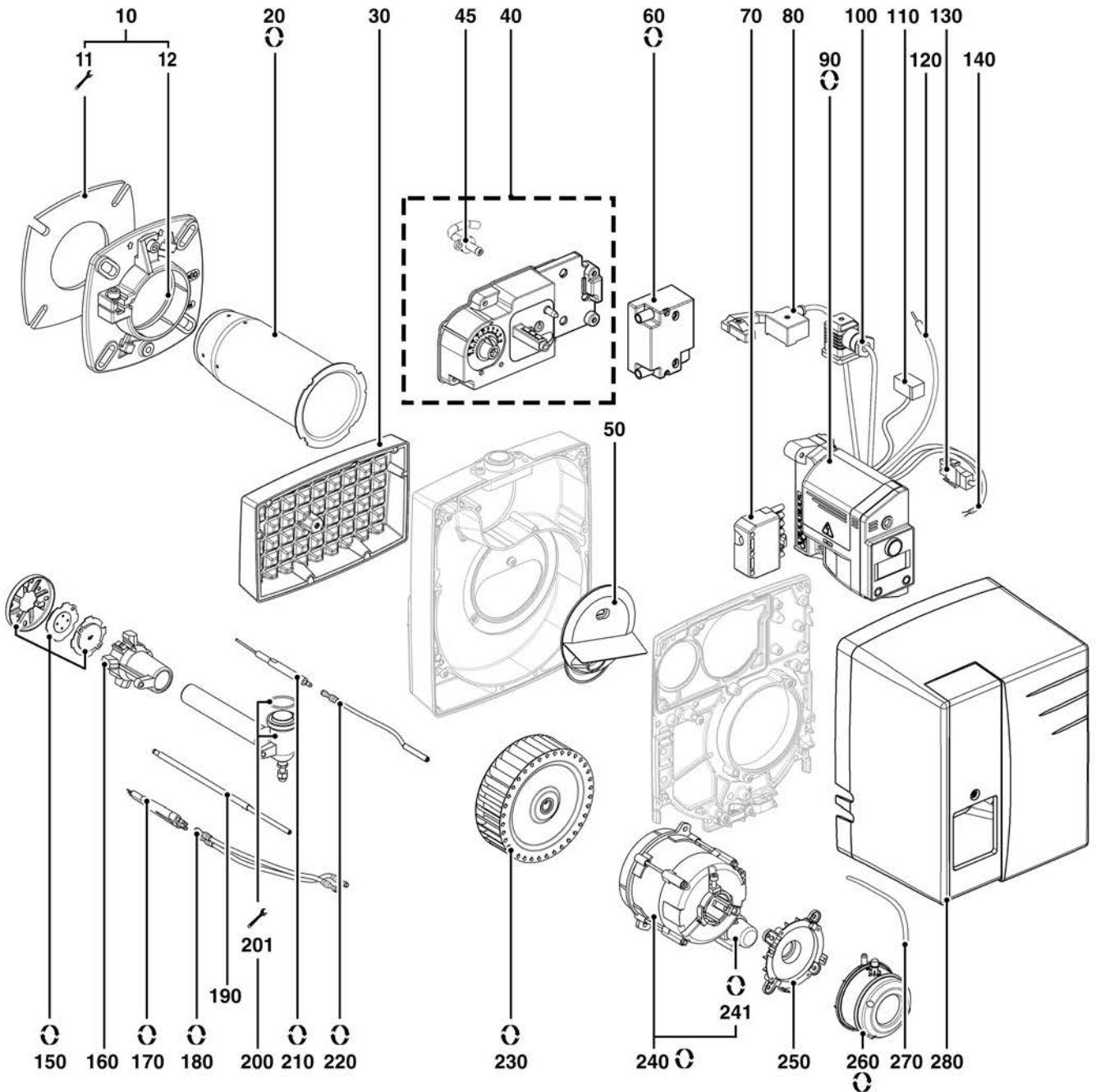
R8220269-02 - 13/09/2018

CB-VG1 E (/TC)

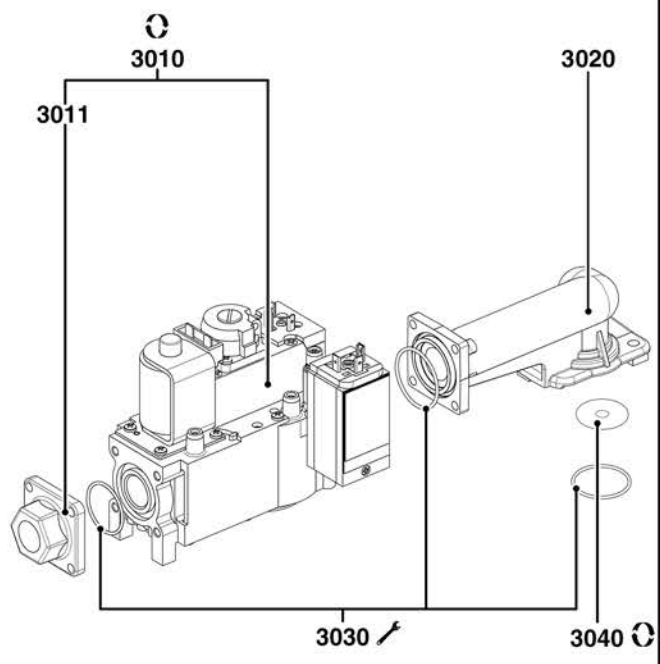
Gas burners

1	3836546	CB-VG1.40 E H3/8" RP1/2" KN	07-2018	-
2	3836346	CB-VG1.40 E H3/8" RP1/2" /TC KN	06-2018	-
3	3836547	CB-VG1.40 E H3/8" RP1/2" KL	07-2018	-
4	3836506	CB-VG1.40 E H3/8" RP1/2" /TC KL	07-2018	-
5	3836548	CB-VG1.55 E H3/8" RP1/2" KN	07-2018	-
6	3836347	CB-VG1.55 E H3/8" RP1/2" /TC KN	06-2018	-
7	3836549	CB-VG1.55 E H3/8" RP1/2" KL	06-2018	-
8	3836517	CB-VG1.55 E H3/8" RP1/2" /TC KL	07-2018	-
9	3836569	CB-VG1.105 E D3/4" RP3/4" KN	06-2018	-
10	3836348	CB-VG1.105 E D3/4" RP3/4" /TC KN	06-2018	-
11	3836570	CB-VG1.105 E D3/4" RP3/4" KL	06-2018	-
12	3836518	CB-VG1.105 E D3/4" RP3/4" /TC KL	06-2018	-

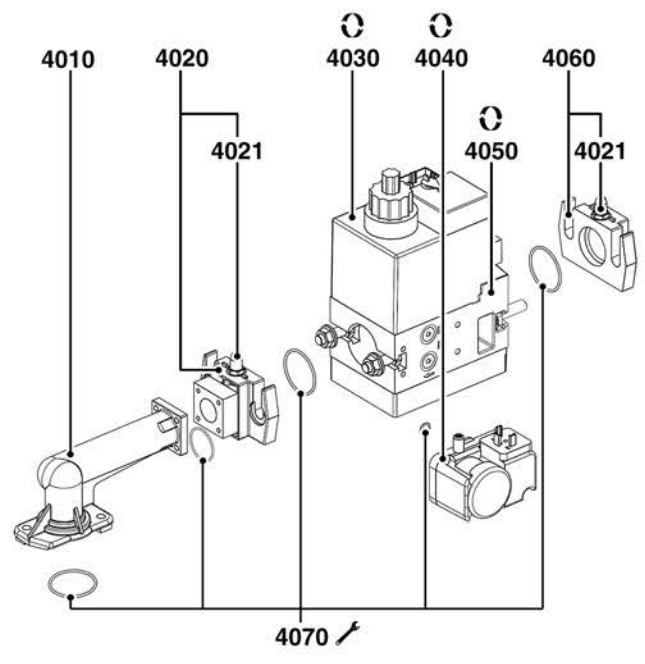
Col	Reference	Model type	Begin	End
-----	-----------	------------	-------	-----



3000



4000



Description	Manf. Pt N	Type	<div style="display: flex; justify-content: space-between; font-size: 8px; font-weight: bold;"> CB-VG 1.40 E-H08 RP1/2 KN CB-VG 1.40 E-H08 RP1/2 TTC MN CB-VG 1.40 E-H08 RP1/2 KL CB-VG 1.40 E-H08 RP1/2 TTC MN CB-VG 1.40 E-H08 RP1/2 KL CB-VG 1.40 E-H08 RP1/2 TTC MN CB-VG 1.40 E-H08 RP1/2 KL CB-VG 1.40 E-H08 RP1/2 TTC MN CB-VG 1.40 E-H08 RP1/2 KL CB-VG 1.40 E-H08 RP1/2 TTC MN CB-VG 1.40 E-H08 RP1/2 KL CB-VG 1.40 E-H08 RP1/2 TTC MN CB-VG 1.40 E-H08 RP1/2 KL CB-VG 1.40 E-H08 RP1/2 TTC MN CB-VG 1.40 E-H08 RP1/2 KL CB-VG 1.40 E-H08 RP1/2 TTC MN </div>																		From	to
			1	2	3	4	5	6	7	8	9	10	11	12	13	14	15	16	17	18		
0010	BOILER ACCESSORY D80 EUROFLANGE	13022754		•	•	•	•	•	•	•	•	•	•	•	•	•	•	•	•			
	BOILER ACCESSORY D90 EUROFLANGE	13018849																				
0011	GASKET/BURNER FLANGE 156X156X5 D90	13010502																				
	GASKET/BURNER FLANGE 156X156X6 D80	13010501		•	•	•	•	•	•	•	•	•	•	•	•	•	•	•	•			
0012	GASKET/BRAID D80X5X5-267	13011148		•	•	•	•	•	•	•	•	•	•	•	•	•	•	•	•			
	GASKET/BRAID D90X5X5-298	13011149																				
0020	FLAME TUBE D55/65/80 L283	65327440																				
	FLAME TUBE D55/68/80 L193	65327439		•	•																	
	FLAME TUBE D90/75/68 L193	13007733																				
	FLAME TUBE D90/75/68 L283	65327441																				
0030	AIR BOX 218X134+ INSULATION	65300231		•	•	•	•	•	•	•	•	•	•	•	•	•	•	•	•			
	AIR BOX 218X135X45	13018434																				
0040	BOX ADJUST FLAP ASS. /GAS	13010473		•	•	•	•															
	BOX ADJUST FLAP D61-30X10 /GAS	65326750																				
0045	AIR TEST NIPPLE	13008244		•	•	•	•	•	•	•	•	•	•	•	•	•	•	•	•			
0050	AIR RECYCLING D103/35 SPO.80X68 L39 108°	13010511		•	•	•	•	•	•	•	•	•	•	•	•	•	•	•	•			
	AIR RECYCLING D103/45 SPO.100X97 L55 65°	13010513																				
0060	IGNITION TRANSFO. EBI 2X7,5 230V	13009663	2P	•	•	•	•	•	•	•	•	•	•	•	•	•	•	•	•			
0070	WIELAND PLUG 7P SILK-SCREEN PRINTED	13010523		•	•	•	•	•	•	•	•	•	•	•	•	•	•	•	•			
0080	CABLE GAS VALVE+PLUG DIN/RAST 4P L1500	13011101																				
	CABLE GASVALVE+PLUG HON 3+2/RAST4P L1000	65300234		•	•	•	•	•	•	•	•	•	•	•	•	•	•	•	•			
0090	CONTROL UNIT TCG 141.00	65300226			•																	
	CONTROL UNIT TCG 141.03 noTC+Post V. 10s	65327446		•	•																	
0100	CABLE GAS P.SWITCH+PLUG DIN/RAST2P L1000	65300235		•	•	•	•	•	•	•	•	•	•	•	•	•	•	•	•			
	CABLE GAS P.SWITCH+PLUG DIN/RAST2P L1500	13023698																				
0110	CABLE IGNIT.TRANSFO+PLUG 3P/RAST 2P L250	13010535		•	•	•	•	•	•	•	•	•	•	•	•	•	•	•	•			
0120	IONISATION CABLE D4 BAN/RAST1P L230	13015185		•	•	•	•	•	•	•	•	•	•	•	•	•	•	•	•			
0130	CABLE MOTOR+PLUG 3P/RAST3P L300	13010519		•	•	•	•	•	•	•	•	•	•	•	•	•	•	•	•			
0140	CABLE AIR PRES.SWITCH+RAST2P/2X0,75 L450	13011100		•	•	•	•	•	•	•	•	•	•	•	•	•	•	•	•			
0150	SET BAFFLE PLATE D64,5 + NOZZLE D45 +CAP	13007726		•	•	•	•	•	•	•	•	•	•	•	•	•	•	•	•			
	SET BAFFLE PLATE D74 + NOZZLE D59 + CAP	13007727																				
0160	GAS HEAD L67 D62/20	65300237		•	•	•	•	•	•	•	•	•	•	•	•	•	•	•	•			
	GAS HEAD L67 D72/22 +O-RING 4 BRANCH.	13010532																				
0170	ELECTRODE BLOCK 12X46 D4 D1,2X10	65300738	2P	•	•	•	•	•	•	•	•	•	•	•	•	•	•	•	•			
0180	IGNITION CABLE D4/D4 L380	65300077		•	•	•	•	•	•	•	•	•	•	•	•	•	•	•	•			
0190	ADJUST LINKAGE L345	65327443																				
	ADJUST ROD D4,8 L233 M6/M5+NUT M5X0,8	13010526		•	•																	
	ADJUST ROD D4,8 L255 M6/M5+NUT M5X0,8	13010527																				
	ADJUST ROD D6-M6 L323+NUT M5	65327442																				
0200	GAS BEND + TUBE Ø22 L250	65327444																				
	GAS ELBOW+TUBE LG.160	13010533		•	•																	
0201	O-RING D24X3	13010534		•	•	•	•	•	•	•	•	•	•	•	•	•	•	•	•			
0210	IONISATION PROBE D8X80 D4 D2X27 80° F+S	13010529		•	•	•	•	•	•	•	•	•	•	•	•	•	•	•	•			
0220	IONISATION CABLE MC4/D4 L500	13014989		•	•	•	•	•	•	•	•	•	•	•	•	•	•	•	•			
0230	FAN WHEEL D133X42 D10	13010101		•	•	•	•	•	•	•	•	•	•	•	•	•	•	•	•			
	FAN WHEEL D133X62 D10	13010517																				
0240	MOTOR 0,085 KW 230V D10	65326740		•	•	•	•	•	•	•	•	•	•	•	•	•	•	•	•			
0241	CAPACITOR 4µF 2P 3mm	13011117	EBR	•	•	•	•	•	•	•	•	•	•	•	•	•	•	•	•			
0250	AIR PRESSURE SWITCH BASE D32	13020723		•	•	•	•	•	•	•	•	•	•	•	•	•	•	•	•			
0260	AIR PRESS.SWITCH 604.92 1-10MB+RAST	13020722		•	•	•	•	•	•	•	•	•	•	•	•	•	•	•	•			
0270	HOSE D4/7 L500 SILICONE	13015497		•	•	•	•	•	•	•	•	•	•	•	•	•	•	•	•			
0280	HOOD	65300242		•	•	•	•	•	•	•	•	•	•	•	•	•	•	•	•			
3000	GAS TRAIN																					
3010	GAS VALVE VR4625 AA RP1/2"	65300243																				
	GAS VALVE VR4625AA RP1/2 NO TC	65326915		•	•																	
3011	FLANGE VALVE VR4625AA RP1/2+SCREWS	65300244		•	•	•	•	•	•	•	•	•	•	•	•	•	•	•	•			
3020	CONNEC.TUBE/FLANGE L115 VG1/NC4/6/9/10GX	65300246		•	•	•	•	•	•	•	•	•	•	•	•	•	•	•	•			
3030	O-RING KIT D24X3+D36X3+D33X2,6/VR 4625	65300247		•	•	•	•	•	•	•	•	•	•	•	•	•	•	•	•			
3040	ORIF.RESTRICT.PIECE(VG1.40/55-NC4/6GX1A)	65300248		•	•	•	•	•	•	•	•	•	•	•	•	•	•	•	•			
4000	GAS TRAIN																					
4010	CONNEC.TUBE/FLANGE L115 VG1/NC4/6/9/10GX	65300246																				
4020	FLANGE MB407 RP1/2+ADAPTER GAS TUBE	65300249																				
4021	PRESSURE TAP R1/8	13009722																				
4030	GAS VALVE MB-DLE407 B01 S20 RP3/4	13012424																				
	GAS VALVE MBDLE407 B01 S22 RP3/4"	13023734																				
4040	GAS PRESS.SWITCH GW 10 A5/1 1-10MB DIN	13023736																				
	GAS PRESS.SWITCH GW 150 A5 5-150MB	13010078																				
4050	STRAINER D20 /MB..405/407	65326948																				
4060	FLANGE MB405/407 RP3/4 +O-RING	13010074																				
4070	O-RING KIT D24X3+D11X2+D33X2,6/MB..407	65300251																				

CB-VG1 E (ITC)

Gas burners

		DE NL	FR ES	IT	X
0010	13018849	ANSCHLUSSFLANSCH D90 EUROFLANSCH BEVESTIGINGSSET KETEL D90 EUROFLENS	ACCESSOIRE CHAUDIERE D90 EUROBRIDE ACCESORIO CALDERA D90 EUROBRIDA	ACCESSORIO CALDAIA D90 EUROFLANGIA	1
	13022754	ANSCHLUSSFLANSCH D80 EUROFLANSCH MONTAGEFLENS+PAKKING D80 EUROFLENS	ACCESSOIRE CHAUDIERE D80 EUROBRIDE ACCESORIO CALDERA D80 EUROBRIDA	ACCESSORIO CALDAIA D80 EUROFLANGIA	1
0011	13010501	DICHTUNG/BRENNERFLANSCH 156X156X6 D80 PAKKING/OPHANGFLENS 156X156X6 D80	JOINT/BRIDE BRULEUR 156X156X6 D80 JUNTA/BRIDA QUEMADOR 156X156X6 D80	GUARNIZIONE/FLANGIA BRUC. 156X156X6 D80	1
	13010502	DICHTUNG/BRENNERFLANSCH 156X156X5 D90 PAKKING/OPHANGFLENS 156X156X5 D90	JOINT/BRIDE BRULEUR 156X156X5 D90 JUNTA/BRIDA QUEMADOR 156X156X5 D90	GUARNIZIONE/FLANGIA BRUC. 156X156X5 D90	1
0012	13011148	DICHTSCHNUR D80X5X5-267 PAKKING/GEVLOCHTE D80X5X5-267	JOINT/TRESSE D80X5X5-267 JUNTA/TRENZADA D80X5X5-267	GUARNIZIONE/TRECCIA D80X5X5-267	1
	13011149	DICHTSCHNUR D90X5X5-298 PAKKING/GEVLOCHTE D90X5X5-298	JOINT/TRESSE D90X5X5-298 JUNTA/TRENZADA D90X5X5-298	GUARNIZIONE/TRECCIA D90X5X5-298	1
0020	13007733	BRENNERROHR D90/75/68 L193 BRANDERBUIJS D90/75/68 L193	TUBE DE FLAMME D90/75/68 L193 TUBO DE LLAMA D90/75/68 L193	BOCCAGLIO D90/75/68 L193	1
	65327439	FLAMMENROHR D55/68/80 L193 BRANDERBUIJS D55/68/80 L193	TUBE DE FLAMME D55/68/80 L193 TUBO DE LLAMA D55/68/80 L193	BOCCAGLIO D55/68/80 L193	1
	65327440	FLAMMENROHR D55/65/80 L283 BRANDERBUIJS D55/65/80 L283	TUBE DE FLAMME D55/65/80 L283 TUBO DE LLAMA D55/65/80 L283	BOCCAGLIO D55/65/80 L283	1
	65327441	FLAMMENROHR D90/75/68 L283 BRANDERBUIJS D90/75/68 L283	TUBE DE FLAMME D90/75/68 L283 TUBO DE LLAMA D90/75/68 L283	BOCCAGLIO D90/75/68 L283	1
0030	13018434	LUFTKASTEN 218X135X45 LUCHTKAST 218X135X45	BOITE A AIR 218X135X45 CAJA DE AIRE 218X135X45	CASSA ASPIR. ARIA 218X135X45	1
	65300231	LUFTKASTEN 218X134+ ISOLIERUNG LUCHTAANZUIGKAST 218X134+ ISOLATIE	BOITE A AIR 218X134+ ISOLATION CAJA DE AIRE 218X134+ AISLAMIENTO	CASSA ASPIR. ARIA 218X134+ ISOLAZIONE	1
0040	13010473	ANTRIEBKASTEN KLAPPE BG. /GAS LUCHTSTURINGSEENHEID	BOITIER COMMANDE VOLET ASS. /GAZ CAJA MANDOS VALV. ASS. /GAS	SCATOLA COMMANDO SERRANDA ASS. /GAS	1
	65326750	ANTRIEBKASTEN KLAPPE D61-30X10 /GAS REGELKAST KLEP D61-30X10 /GAS	BOITIER COMMANDE VOLET D61-30X10 /GAZ CAJA MANDOS VALV. D61-30X10 /GAS	SCATOLA COMMANDO SERRANDA D61-30X10 /GAS	1
0045	13008244	LUFTDRUCKABNAHMEROHRE AIR MEETNIPPEL	PRISE DE PRESSION AIR BOQUILLA DE PRESION DE AIRE	PRESA DI PRESSIONE ARIA	1
0050	13010511	ANSAUGLUFTFUEHRUNG D103/35 80X68L39 108° LUCHTGELEIDING D103/35 VIN80X68 L39 108°	RECYCLAGE AIR D103/35 ALL.80X68 L39 108° RECICLAJE AIRE D103/35 AL.80X68 L39 108°	CONVOGLIAT.ARIA D103/35 80X68 L39 108°	1
	13010513	ANSAUGLUFTFUEHRUNG D103/45 100X97L55 65° LUCHTGELEIDING D103/45 VIN100X97 L55 65°	RECYCLAGE AIR D103/45 ALL.100X97 L55 65° RECICLAJE AIRE D103/45 100X97 L55 65°	CONVOGLIATORE ARIA D103/45 100X97L55 65°	1
0060	13009663	ZUENDTRAFO EBI 2X7,5 230V ONTSTEKINGSTRAFO EBI 2X7,5 230V	ALLUMEUR EBI 2X7,5 230V ENCENDEDOR EBI 2X7,5 230V	TRASFO. ACC. EBI 2X7,5 230V+PRESA TERRA	1
0070	13010523	WIELANDSTECKER 7 P.MANN CONTACTSTOP WIELAND 7P SERIGRAPHIE	PRISE WIELAND 7P MALE SERIGRAPHIE TOMA WIELAND 7P MALE SERIGRAPHIE	SPINA WIELAND 7P SERIGRAFIA	1
0080	13011101	KABEL GASVENTIL+STCK DIN/RAST4P L1500 KABEL GASKLEP+STCKDIN/RAST4P L1500	CABLE VANNE GAZ+PRISE DIN/RAST4P L1500 CABLE VALVULA GAS+TOMA DIN/RAST4P L1500	CAVO VALVOLA GAS+PRESA DIN/RAST4P L1500	1
	65300234	KABEL GASVENTIL+STCK HON3+2/RAST4P L1000 KABEL GASKLEP+STCKHON 3+2/RAST4P L1000	CABLE VANNE GAZ+P. HON 3+2/RAST4P L1000 CABLE VALV.GAS+TOMA HON 3+2/RAST4P L1000	CAVO VALVOLA GAS+P. HON 3+2/RAST4P L1000	1
0090	65300226	FEUERUNGSAUTOMAT TCG 141.00 BRANDERAUTOMAAT TCG 141.00	COFFRET TCG 141.00 PROGRAMADOR TCG 141.00	APPARECCHIATURA TCG 141.00	1
	65327446	FEUERUNGSAUTOM.TCG141.03 noTC+Post V.10s BRANDERAUTOMAAT TCG141.03 noTC+Post V.10	COFFRET TCG 141.03 no TC+Post V. 10s PROGRAMADOR TCG 141.03 noTC+Post V. 10s	APPARECCHIATURA TCG141.03 noTC+Post V.10	1
0100	13023698	KABEL GDW.+STECKER DIN/RAST2P L1500 G.DRUKSCHAKEL.KABEL+STCKDIN/RAST2P L1500	CABLE MANO GAZ+PRISE DIN/RAST2P L1500 CABLE PRESOST.AIRE+TOMA DIN/RAST2P L1500	CAVO PRESSOST.GAS+PRESA DIN/RAST2P L1500	1
	65300235	KABEL GDW.+STECKER DIN/RAST2P L1000 G.DRUKSCHAKEL.KABEL+STCKDIN/RAST2P L1000	CABLE MANO GAZ+PRISE DIN/RAST2P L1000 CABLE PRESOST.AIRE+TOMA DIN/RAST2P L1000	CAVO PRESSOST.GAS+PRESA DIN/RAST2P L1000	1
0110	13010535	KABEL ZÜNDTRAFO+STCK 3P/RAST2P L250 AANSLUITSNOR TRAFO+PLUG3P/RAST2P L250	CABLE ALLUMEUR+PRISE 3P/RAST2P L250 CABLE ENCENDEDOR+TOMA 3P/RAST2P L250	CAVO TRASFO ACCENS.+PRESA 3P/RAST2P L250	1
0120	13015185	IONISATIONSKABEL D4 BAN/RAST1P L230 IONISATIEKABEL D4 BAN/RAST1P L230	CABLE IONISATION D4 BAN/RAST1P L230 CABLE IONIZACION D4 BAN/RAST1P L230	CAVO RIVELAZIONE D4 BAN/RAST1P L230	1
0130	13010519	KABEL MOTOR+STECKER 3P/RAST3P L300 KABEL MOTOR+STCK3P/RAST3P L300	CABLE MOTEUR+PRISE 3P/RAST3P L300 CABLE MOTOR+TOMA 3P/RAST3P L300	CAVO MOTORE+PRESA 3P/RAST3P L300	1
0140	13011100	KABEL LDW+RAST2P/2X0,75 L450 L.DRUKSCHAKEL.KABEL+RAST2P/2X0,75 L450	CABLE MANOSTAT AIR+RAST2P/2X0,75 L450 CABLE PRESOSTATO AIRE+RAST2P/2X0,75 L450	CAVO PRESSOST.ARIA+RAST2P/2X0,75 L450	1
0150	13007726	SET STAUSCHEIBE D64,5 + DÜSE D45+VERSCH. SET STUWPLAAT D64,5 + NOZZLE D45+SLUITER	KIT DEFLECTEUR D64,5 + DIFF. D45 + OBTU. KIT DEFLECTOR D64,5 + DIFUSOR D45+OBTU.	KIT DIFFUSORE D64,5+INIETT.GAS D45+OTTU.	1
	13007727	SET STAUSCHEIBE D74 + DÜSE D59 + VERSCH. SET STUWPLAAT D74 + NOZZLE D59+SLUITER	KIT DEFLECTEUR D74 + DIFF. D59 + OBTU. KIT DEFLECTOR D74 + DIFUSOR D59+OBTU.	KIT DIFFUSORE D74 +INIETT.GAS D59+OTTU.	1
0160	13010532	GASKOPF L67 D72/22 +O-RING 4 BRANCH. GASKOP L67 D72/22 +O-RING 4 BRANCH.	TETE GAZ L67 D72/22 +O-RING 4 BRANCHES CABEZA GAS L67 D72/22 +O-RING 4 BRANCH.	TESTA GAS L67 D72/22 +O-RING 4 BRANCH.	1
	65300237	GASKOPF L67 D62/20 GASSTER V-G 1 40 /55 /85	TETE GAZ L67 D62/20 CABEZA GAS L67 D62/20	TESTA GAS L67 D62/20	1
0170	65300738	ZÜNDELEKTRODENBLOK 12X46 D4 D1,2X10 ELEKTRODENBLOK 12X46 D4 D1,2X10	BLOC-ELECTRODES 12X46 D4 D1,2X10 BLOQUE ELECTRODOS 12X46 D4 D1,2X10	BLOCCO ELETTRODI 12X46 D4 D1,2X10	1
0180	65300077	ZÜNDKABEL D4/D4 L380 ONTSTEKINGSKABEL D4/D4 L380	CABLE ALLUMAGE D4/D4 L380 CABLE ENCENDIDO D4/D4 L380	CAVO ACCENSIONE D4/D4 L380	1
0190	13010526	SCHUBSTANGE D4,8 L233 M6/M5+NUT M5X0,8 INSTELSTANG M6 L 230	TIGE REGLAGE D4,8 L233 M6/M5+NUT M5X0,8 VARILLA AJUSTE D4,8 L233 M6/M5+NUT M5	ASTA REGOL. D4,8 L233 M6/M5+NUT M5X0,8	1

		DE		FR		IT		
		NL		ES				
	13010527	SCHUBSTANGE D4,8 L255 M6/M5+NUT M5X0,8 STELSTANG D4,8 L255 M6/M5+NUT M5X0,8	TIGE REGLAGE D4,8 L255 M6/M5+NUT M5X0,8 VARILLA AJUSTE D4,8 L255 M6/M5+NUT M5	ASTA REGOL. D4,8 L255 M6/M5+NUT M5X0,8	1			
	65327442	REGULIERSTANGE L323 INSTELSTANG L323	TIGE REGLAGE D6-M6 L323+ECROU M5 VARILLA DE AJUSTE L323	ASTINA REGOLAZ. L323	1			
	65327443	REGULIERSTANGE L345 INSTELSTANG L345	TIGE REGLAGE L345 VARILLA DE AJUSTE L345	ASTINA REGOLAZ. L345	1			
0200	13010533	GASBOGEN+ROHR LG.160 ELLEBOOG GAS+BUIS LG.160	COUDE GAZ+TUBE LG.160 TUBO DEL GAS+CODO LG.160	GOMITO GAS+TUBO LG.160	1			
	65327444	GASBOGEN + ROHR Ø22 L250 ELLEBOOG GAS + BUIS Ø22 L250	COUDE GAZ + TUBE Ø22 L250 CODO GAS + TUBERIA Ø22 L250	GOMITO GAS + TUBO Ø22 L250	1			
0201	13010534	O-RING D24X3 O-RING Ø 24.0 X 3.0 NBR70	O-RING D24X3 O-RING D24X3	O-RING D24X3	1			
0210	13010529	IONISATIONSSONDE D8X80 D4 D2X27 80° F+S IONISATIEPEN D8X80 D4 D2X27 80° F+S	SONDE IONISATION D8X80 D4 D2X27 80° F+S SONDA IONIZACION D8X80 D4 D2X27 80° F+S	SONDA RIVELAZIONE D8X80 D4 D2X27 80° F+S	1			
0220	13014989	IONISATIEKABEL MC4/D4 L500 IONISATIEKABEL MC4/D4 L500	CABLE IONISATION MC4/D4 L500 CABLE IONIZACION MC4/D4 L500	CAVO RIVELAZIONE MC4/D4 L500	1			
0230	13010101	VENTILATORRAD D133X42 D10 VENTILATORWIEL D133X42 D10	TURBINE D133X42 D10 TURBINA D133X42 D10	VENTOLA D133X42 D10	1			
	13010517	VENTILATORRAD D133X62 D10 VENTILATORWIEL D133X62 D10	TURBINE D133X62 D10 TURBINA D133X62 D10	VENTOLA D133X62 D10	1			
0240	65326740	MOTOR 0,085 KW 230V D10 MOTOR 0,085 KW 230V D10	MOTEUR 0,085 KW 230V D10 MOTOR 0,085 KW 230V D10	MOTORE 0,085 KW 230V D10	1			
0241	13011117	KONDENSATOR 4µF 2P 3mm CONDENSATOR 4µF 2P 3mm	CONDENSATEUR 4µF 2P 3mm CONDENSADOR 4µF 2P 3mm	CONDENSATORE 4µF 2P 3mm	1			
0250	13020723	HALTER D32 LUFTDRUCKWAECHTER HUB LUCHTDRUKSCHAKELAAR STEUN D32	SUPPORT MANOSTAT AIR D32 SOPORTE DEL MANOSTATO DE AIRE D32	SUPPORTO PRESSOSTATO DELL'ARIA D32	1			
0260	13020722	LUFTDRUCKWAECHTER 604.92 1-10MB+RAST LUCHTDRUKSCHAKELAAR 604.92 1-10MB+RAST	MANOSTAT AIR 604.92 1-10MB+RAST PRESOSTATO AIRE 604.92 1-10MB+RAST	PRESSOSTATO ARIA 604.92 1-10MB+RAST	1			
0270	13015497	SCHLAUCH ID4/7X500 SILIKON TRANSPARENT SLANG D4/7 L500 SILIKON	TUYAU D4/7 L500 SILICONE MANGUERA D4/7 L500 SILICONA	TUBETTO D4/7 L500 SILICONE	1			
0280	65300242	BRENNERHAUBE KPL. BRANDERKAP	CAPOT CUBIERTA	COPERCHIO	1			
3010	65300243	GASVENTIL VR4625 AA RP1/2" GASKLEP VR4625 AA RP1/2"	VANNE GAZ VR4625 AA RP1/2" VALVULA GAS VR4625 AA RP1/2"	VALVOLA GAS VR4625 AA RP1/2"	1			
	65326915	GASVENTIL VR4625AA RP1/2 NO TC GASKLEP VR4625AA RP1/2 NO TC	VANNE GAZ VR4625AA RP1/2 NO TC VALVULA GAS VR4625AA RP1/2 NO TC	VALVOLA GAS VR4625AA RP1/2 NO TC	1			
3011	65300244	FLANSCH VENTIL VR4625AA RP1/2+SCHRAUBEN FLENS GAS KLEP VR4625AA RP1/2+SCHROEF	BRIDE VANNE VR4625AA RP1/2+VIS BRIDA VALVULA VR4625AA RP1/2+TORNILLOS	FLANGIA VALVOLA VR4625AA RP1/2+VITE	1			
3020	65300246	ANSCHLUSSROHR L115 VG1/NC4/6/9/10GX COLLECTORPI./FLENS L115 VG1/NC4/6/9/10GX	COLLECTEUR/BRIDE L115 VG1/NC4/6/9/10GX COLECTOR GAS/BRIDA L115 VG1/NC4/6/9/10GX	COLLETTORE/FLANGIA L115 VG1/NC4/6/9/10GX	1			
3030	65300247	O-RINGSATZ D24X3+D36X3+D33X2,6/VR 4625 O-RINGSET Ø24X3+Ø36X3+Ø33X2,6/VR 4625	KIT O-RING D24X3+D36X3+D33X2,6/VR 4625 KIT O-RING D24X3+D36X3+D33X2,6/VR 4625	KIT O-RING D24X3+D36X3+D33X2,6/VR 4625	1			
3040	65300248	BLLENDE (VG1.40/55-NC4/6GX1A) RING (VG1.40/55-NC4/6GX1A)	DIAPHRAGME (VG1.40/55-NC4/6GX1A) DIAPHRAGMA (VG1.40/55-NC4/6GX1A)	DIAFRAMMA (VG1.40/55-NC4/6GX1A)	1			
4010	65300246	ANSCHLUSSROHR L115 VG1/NC4/6/9/10GX COLLECTORPI./FLENS L115 VG1/NC4/6/9/10GX	COLLECTEUR/BRIDE L115 VG1/NC4/6/9/10GX COLECTOR GAS/BRIDA L115 VG1/NC4/6/9/10GX	COLLETTORE/FLANGIA L115 VG1/NC4/6/9/10GX	1			
4020	65300249	FLANSCH MB407 RP1/2+ADAPTER GAS TUBE FLENS MB407 RP1/2+ADAPTER GAS TUBE	BRIDE MB407 RP1/2+ADAPTER GAS TUBE BRIDA MB407 RP1/2+ADAPTER GAS TUBE	FLANGIA MB407 RP1/2+ADAPTER TUBO GAS	1			
4021	13009722	MESSNIPPEL GERADE R1/8Z-VERPACKT DRUKAANSLUITING R1/8	PRISE PRESSION R1/8 TOMA PRESIÓN R1/8	PRESA PRESSIONE R1/8	1			
4030	13012424	GASVENTIL MB-DLE407 B01 S20 RP3/4 GASKLEP MB-DLE407 B01 S20 3/4"	VANNE GAZ MB-DLE407 B01 S20 RP3/4 VALVULA GAS MB-DLE407 B01 S20 RP3/4	VALVOLA GAS MB-DLE407 B01 S20 RP3/4	1			
	13023734	GASVENTIL MB-DLE407 B01 S22 RP3/4" GB MB DLE407 B01 S22 RP3/4" (253535)	VANNE GAZ MB-DLE407 B01 S22 RP3/4" VALVULA GAS MB-DLE407 B01 S22 RP3/4"	VALVOLA GAS MB-DLE407 B01 S22 RP3/4"	1			
4040	13010078	GASDRUCKWAECHTER GW 150 A5 5-150MB GASDRUKSCHAKELAAR GW 150 A5 5-150MB	MANOSTAT GAZ GW 150 A5 5-150MB PRESOSTATO GAS GW 150 A5 5-150MB	PRESSOSTATO GAS GW 150 A5 5-150MB	1			
	13023736	GASDRUCKWAECHTER GW 10 A5/1 1-10MB DIN GASDRUKSCHAKELAAR GW 10 A5/1 1-10MB DIN	MANOSTAT GAZ GW 10 A5/1 1-10MB DIN PRESOSTATO GAS GW 10 A5/1 1-10MB DIN	PRESSOSTATO GAS GW 10 A5/1 1-10MB DIN	1			
4050	65326948	FILTEREINSATZ D20 /MB. 405/407 FILTERELEMENT D20 /MB. 405/407	ELEMENT FILTRANT D20 /MB. 405/407 ELEMENTO FILTRANTE D20 /MB. 405/407	ELEMENTO FILTRANTE D20 /MB. 405/407	1			
4060	13010074	FLANSCH MB405/407 RP3/4 +O-RING FLENS MB405/407 RP3/4 +O-RING	BRIDE MB405/407 RP3/4 +O-RING BRIDA MB405/407 RP3/4 +O-RING	FLANGIA MB405/407 RP3/4 +O-RING	1			
4070	65300251	O-RINGSATZ D24X3+D11X2+D33X2,6/MB. 407 O-RINGSET D24X3+D11X2+D33X2,6/MB. 407	KIT O-RING D24X3+D11X2+D33X2,6/MB. 407 KIT O-RING D24X3+D11X2+D33X2,6/MB. 407	KIT O-RING D24X3+D11X2+D33X2,6/MB. 407	1			

		RU TR	PT EL	PL	X
0010	13018849	ПРИНАДЛЕЖНОСТИ КОТЛА D90 EUROBRIDE KAZAN AKSESUARLARI D90 EUROFLANŞI	ACESSORIO CALDEIRA D90 EUROFLANGE ΦΛΑΝΤΖΑ ΛΕΒΗΤΑ D90 EUROBRIDE	AKCESORIA DO KOTŁA D90 EUROKOŁNIERZ	1
	13022754	ПРИНАДЛЕЖНОСТИ КОТЛА D80 EUROBRIDE KAZAN AKSESUARLARI D80 EUROFLANŞI	ACESSORIO CALDEIRA D80 EUROFLANGE ΦΛΑΝΤΖΑ ΛΕΒΗΤΑ D80 EUROBRIDE	AKCESORIA DO KOTŁA D80 EUROKOŁNIERZ	1
0011	13010501	ПРОКЛАДКА/ФЛАНЕЦ ГОРЕЛКИ 156X156X6 D80 CONTASI/BRULOR FLANŞI 156X156X6 D80	GAXETA/FLANGE QUEIMADOR 156X156X6 D80 KOINH/ΦΛΑΝΤΖΑ ΚΑΥΣΤΗΡΑ 156X156X6 D80	USZCZELKA/KOŁNIERZ PALNIKA 156X156X6 D80	1
	13010502	ПРОКЛАДКА/ФЛАНЕЦ ГОРЕЛКИ 156X156X5 D90 CONTASI/BRULOR FLANŞI 156X156X5 D90	GAXETA/FLANGE QUEIMADOR 156X156X5 D90 KOINH/ΦΛΑΝΤΖΑ ΚΑΥΣΤΗΡΑ 156X156X5 D90	USZCZELKA/KOŁNIERZ PALNIKA 156X156X5 D90	1
0012	13011148	ПРОКЛАДКА/ПЛЕТЕНАЯ D80X5X5-267 CONTASI/OERÜLÜ D80X5X5-267	GAXETA/TRANÇADA D80X5X5-267 KOINH/BRAID D80X5X5-267	USZCZELKA/PLECIONA D80X5X5-267	1
	13011149	ПРОКЛАДКА/ПЛЕТЕНАЯ D90X5X5-298 CONTASI/OERÜLÜ D90X5X5-298	GAXETA/TRANÇADA D90X5X5-298 KOINH/BRAID D90X5X5-298	USZCZELKA/PLECIONA D90X5X5-298	1
0020	13007733	СОПЛО ГОРЕЛКИ D90/75/68 L193 BRÜLÖR BORUSU D90/75/68 L193	TUBO DO QUEIMADOR D90/75/68 L193 ΦΛΟΓΟΣΩΛΗΝΑΣ D90/75/68 L193	RURA PALNIKA D90/75/68 L193	1
	65327439	СОПЛО ГОРЕЛКИ D55/68/80 L193 BRÜLÖR BORUSU D55/68/80 L193	TUBO DO QUEIMADOR D55/68/80 L193 ΦΛΟΓΟΣΩΛΗΝΑΣ D55/68/80 L193	RURA PALNIKA D55/68/80 L193	1
	65327440	СОПЛО ГОРЕЛКИ D55/65/80 L283 BRÜLÖR BORUSU D55/65/80 L283	TUBO DO QUEIMADOR D55/65/80 L283 ΦΛΟΓΟΣΩΛΗΝΑΣ D55/65/80 L283	RURA PALNIKA D55/65/80 L283	1
	65327441	СОПЛО ГОРЕЛКИ D90/75/68 L283 BRÜLÖR BORUSU D90/75/68 L283	TUBO DO QUEIMADOR D90/75/68 L283 ΦΛΟΓΟΣΩΛΗΝΑΣ D90/75/68 L283	RURA PALNIKA D90/75/68 L283	1
0030	13018434	ВОЗДУШНАЯ КАМЕРА 218X135X45 HAVA KUTUSU 218X135X45	CAIXA DE AR 218X135X45 KOYTI AERΑ 218X135X45	KOMORA POWIETRZA 218X135X45	1
	65300231	ВОЗДУШНАЯ КАМЕРА 218X134+ ИЗОЛЯЦИЯ HAVA KUTUSU 218X134+ YALITIM	CAIXA DE AR 218X134+ ISOLAMENTO KOYTI AERΑ 218X134+ INSULATION	KOMORA POWIETRZA 218X134+ IZOLACJA	1
0040	13010473	КОРОБ.РЕГУЛ.КЛАПАНА / ГАЗ KUTUSU ADJUST KLAPESI ASS. /GAZ	CAIXA COMANDO FLAP ASS. /GAS KOYTI ADJUST KOYTI ASS. /AERIOY	KOMORA ADJUST PRZEP. ASS. /GAZU	1
	65326750	КОРОБ.РЕГУЛ.КЛАПАНА /ГАЗА KUTUSU ADJUST KLAPESI D61-30X10 /GAZ	CAIXA COMANDO FLAP D61-30X10 /GAS KOYTI ADJUST KOYTI D61-30X10 /AERIOY	KOMORA ADJUST PRZEP. D61-30X10 /GAZU	1
0045	13008244	ИСПЫТАНИЕ ВОЗДУХА НИППЕЛЬ HAVA TEST NİPELİ	BOQUILLA TESTE DE AR ΠΙΕΣΗ ΑΕΡΑ	TEST POWIETRZA SUTEK	1
0050	13010511	ЗАСЛОНКА РЕЦИ.ВОЗ. D103/35 80X68 L39 108° HAVA GERİ DÖNÜŞÜMÜ D103/35 80X68L39 108°	RECICLAGEM AR D103/35 ALE.80X68 L39 108° ANAKYKΛΩΣΗ ΑΕΡΑ D103/35 80X68L39 108°	RECYRKULACJA POW.D103/35 80X68 L39 108°	1
	13010513	ЗАСЛОНКА РЕЦИ.ВОЗ. D103/45 100X97 L55 65° HAVA GERİ DÖNÜŞÜMÜ	RECICLAGEM AR D103/45 100X97 L55 65° ANAKYKΛΩΣΗ ΑΕΡΑ D103/45 100X97 L55 65°	RECYRKULACJA POW.D103/45 100X97 L55 65°	1
0060	13009663	ТРАНСФО РОЗЖИГА EBI 2X7,5 230V ATEŞLEME TRAFO. EBI 2X7,5 230V	TRANSFO IGNIÇÃO EBI 2X7,5 230V ΑΝΑΦΛΕΚΤΗΡΑΣ EBI 2X7,5 230V	TRANSFO ZAPŁONOWY EBI 2X7,5 230V	1
0070	13010523	ШТЕКЕР WIELAND 7P 7P ERKEK WIELAND PRIZI	TOMADA WIELAND 7P MACHO SERIGRAPHIE ΕΠΙΤΑΠΟΛΙΚΟ ΦΙΣ WIELAND	GNIAZDO WIELAND MĘSKIE 7P	1
0080	13011101	КАБЕЛЬ ГАЗОВЫЙ КЛАПАН+P.DIN/RAST4P L1500 GAZ VANASI KABLOSU+PLUGDIN/RAST4P L1500	CABO VALVULA GAS+TOMADA DIN/RAST4P L1500 ΚΑΛΩΔΙΟ ΒΑΛΒ.ΑΕΡΙΟΥ+PLUGDIN/RAST4P L1500	PRZEWÓD ZAWÓR GAZOWY+PL.DIN/RAST4P L1500	1
	65300234	КАБЕЛЬ ГАЗ.КЛАПАН+PL.HON3+2/RAST4P L1000 GAZ VAN. KABLOSU+PL.HON 3+2/RAST4P L1000	CABO VALV. GAS+TOM.HON 3+2/RAST4P L1000 ΚΑΛΩΔΙΟ ΒΑΛΒ.ΑΕΡΙΟΥ+P.HON 3+2/RAST4P L1000	PRZEWÓD ZAW.GAZOWY+HON 3+2/RAST4P L1000	1
0090	65300226	БЛОК УПРАВЛЕНИЯ TCG 141.00 KUTU TCG 141.00	PROGRAMADOR TCG 141.00 ΗΛΕΚΤΡΟΝΙΚΟ TCG 141.00	MODUŁ TCG 141.00	1
	65327446	БЛОК УПРАВЛЕНИЯ TCG141.03 noTC+Post V.10 KUTU TCG 141.03 noTC+Post V. 10s	PROGRAMADOR TCG 141.03 noTC+Post V. 10s ΗΛΕΚΤΡΟΝΙΚΟ TCG 141.03 noTC+Post V. 10s	MODUŁ TCG 141.03 noTC+Post V. 10s	1
0100	13023698	КАБЕЛЬ РЕЛЕ ДАВ. ГАЗА+P.DIN/RAST2P L1500 GAZ BAS.ŞALT.KABLOSU+PL.DIN/RAST2P L1500	CABO PRESSOST.GAS+TOMAD.DIN/RAST2P L1500 ΚΑΛΩΔΙΟ ΠΙΕΣ.ΑΕΡΙΟΥ+PL.DIN/RAST2P L1500	PRZEWÓD CZUJN.CIŚ.GAZU+DIN/RAST2P L1500	1
	65300235	КАБЕЛЬ РЕЛЕ ДАВ. ГАЗА+P.DIN/RAST2P L1000 GAZ BAS.ŞALT.KABLOSU+PL.DIN/RAST2P L1000	CABO PRESSOST.GAS+TOMAD.DIN/RAST2P L1000 ΚΑΛΩΔΙΟ ΠΙΕΣ.ΑΕΡΙΟΥ+PL.DIN/RAST2P L1000	PRZEWÓD CZUJN.CIŚ.GAZU+DIN/RAST2P L1000	1
0110	13010535	КАБЕЛЬ ТРАНСФО РОЗЖИГА+PL.3P/RAST2P L250 KABLOSU ATEŞL. TRAFO.+PLUG3P/RAST2P L250	CABO TRANSFO IGNIÇÃO+TOM.3P/RAST2P L250 ΚΑΛΩΔΙΟ ΑΝΑΦΛΕΚΤ.+PLUG3P/RAST2P L250	PRZEWÓD TRANSFO ZAPŁ.+PLUG3P/RAST2P L250	1
0120	13015185	КАБЕЛЬ ИОНИЗАЦ. D4 BAN/RAST1P L230 İYONIZAS. KABLOSU D4 BAN/RAST1P L230	CABO İONİZACİON D4 BAN/RAST1P L230 ΚΑΛΩΔΙΟ ΙΟΝΙΣΜΟΥ D4 BAN/RAST1P L230	PRZEWÓD JONIZACY. D4 BAN/RAST1P L230	1
0130	13010519	КАБЕЛЬ ЭЛЕКТРОДВИГАТЕЛЬ+P.3P/RAST3P L300 MOTORU KABLOSU+FIŞ 3P/RAST3P L300	CABO MOTOR+TOMADA 3P/RAST3P L300 ΚΑΛΩΔΙΟ ΜΟΤΕΡ+ΒΥΣΜΑ 3P/RAST3P L300	PRZEWÓD SILNIK+WTYCZKA 3P/RAST3P L300	1
0140	13011100	КАБЕЛЬ Р.ДАВ. ВОЗДУХА+RAST2P/2X0,75 L450 HAVA BAS.ŞALT.KABLOSU+RAST2P/2X0,75 L450	CABO PRESSOST.AR+RAST2P/2X0,75 L450 ΚΑΛΩΔΙΟ ΠΙΕΣΟΣΤ.ΑΕΡΑ+RAST2P/2X0,75 L450	PRZEWÓD CZUJN.CIŚ.POW.+RAST2P/2X0,75 L450	1
0150	13007726	КОМПЛЕКТ ДЕФЛЕКТ. D64,5+ДИФУЗОР. D45+3АТВ. KİTİ DEFLEKTOR D64,5+DİFÜZÖRL.D45+PANJUR	KİT DEFLECTOR D64,5 + DİFUSOR D45+OBTU. KİT ΔΙΑΣΚΟΡΠΙΣΤΗ. D64,5+ΔΙΑΧΥΤ. D45+ΠΑΡΑ.	ZESTAW DEFLEKT. D64,5+DYSZ GAZU D45+MIG.	1
	13007727	КОМПЛЕКТ ДЕФЛЕКТ. D74+ДИФУЗОР. D59+3АТВ. KİTİ DEFLEKTOR D74+DİFÜZÖRL.D59+PANJUR	KİT DEFLECTOR D74 + DİFUSOR D59+OBTU. KİT ΔΙΑΣΚΟΡΠΙΣΤΗ. D74+ΔΙΑΧΥΤ. D59+ΠΑΡΑ.	ZESTAW DEFLEKT. D74+DYSZ GAZU D59+MIG.	1
0160	13010532	ОГНЕВАЯ ГОЛ. L67 D72/22 +O-RING 4 BRANCH. GAZ KAFA L67 D72/22 +O-RING 4 BRANCH.	CABEÇA GAS L67 D72/22 +O-RING 4 BRANCH. ΔΙΑΤΑΞΗ ΑΣΤΕΡΑ D.72	GŁOWICA GAZ L67 D72/22 +O-RING 4 BRANCH.	1
	65300237	ОГНЕВАЯ ГОЛОВКА L67 D62/20 GAZ KAFA L67 D62/20	CABEÇA GAS L67 D62/20 ΔΙΑΤΑΞΗ ΑΣΤΕΡΑ D.62	GŁOWICA GAZ L67 D62/20	1
0170	65300738	БЛОК ЭЛЕКТРОДОВ 12X46 D4 D1,2X10 ELEKTROD BLOĞU 12X46 D4 D1,2X10	BLOCO ELETRODO 12X46 D4 D1,2X10 ΣΥΓΚΡΟΤΗΜΑ ΗΛΕΚΤΡΟΔΙΩΝ 12X46 D4 D1,2X10	BLOK ELEKTROD 12X46 D4 D1,2X10	1
0180	65300077	КАБЕЛЬ РОЗЖИГА D4/D4 L380 ATEŞLEME KABLOSU D4/D4 L380	CABO ENCENDIDO D4/D4 L380 ΚΑΛΩΔΙΟ ΕΝΑΥΣΗΣ D4/D4 L380	PRZEWÓD ALU. D4/D4 L380	1
0190	13010526	РЕГУ.СТЕРЖЕНЬ D4,8 L233 M6/M5+NUT M5X0,8 AYAR ÇUBUĞU D4,8 L233 M6/M5+NUT M5X0,8	HASTE AJUSTE D4,8 L233 M6/M5+NUT M5X0,8 ΡΑΒΔΟΣ ΡΥΘ. D4,8 L233 M6/M5+NUT M5X0,8	TRZPIEŃ REGUL.D4,8 L233 M6/M5+NUT M5X0,8	1



		RU TR	PT EL	PL	X
	13010527	РЕГУ.СТЕРЖЕНЬ D4,8 L255 M6/M5+NUT M5X0,8 AYAR ÇUBUĞU D4,8 L255 M6/M5+NUT M5X0,8	HASTE AJUSTE D4,8 L255 M6/M5+NUT M5X0,8 ΡΑΒΔΟΣ ΡΥΘ. D4,8 L255 M6/M5+NUT M5X0,8	TRZPIEŃ REGUL.D4,8 L255 M6/M5+NUT M5X0,8	1
	65327442	РЕГУЛИРОВОЧН. L323 AYAR ÇUBUĞU L323	HASTE DE REGULAÇÃO C.323 ΡΥΘΜΙΣΗΣ ΣΤΕΛΕΧΟΣ.D6-M6 L323+ΞΗΡΟΣ ΚΑΡ.Μ5	TRZPIEŃ REGULACYJNY L323	1
	65327443	РЕГУЛИРОВОЧН. L345 AYAR ÇUBUĞU L345	HASTE DE REGULAÇÃO C.345 ΡΥΘΜΙΣΗΣ ΣΤΕΛΕΧΟΥΣ L345	TRZPIEŃ REGULACYJNY L345	1
0200	13010533	ТРУБКА ГАЗА+КОЛЕНО LG.160 GAZ BORUSU+DIRSEK LG.160	COΤΟVELO GÁS+TUBO LG.160 ΣΩΛΗΝΑΣ ΑΕΡΙΟΥ+ΚΕΚΑΜΜΕΝΟΣ ΣΩΛΗΝΑΣ LG.160	PRZEWÓD GAZU+KOLANKO LG.160	1
	65327444	ГАЗОВОЕ КОЛЕНО + ТРУБКА Ø22 L250 GAZ KLARPE + TUPLU Ø22 L250	COΤΟVELO GAS + TUBO Ø22 L250 ΚΕΚΑΜΜΕΝΟΣ ΑΕΡΙΟΥ + ΣΩΛΗΝΑΣ Ø22 L250	KOLANKO GAZOWY + RURA Ø22 L250	1
0201	13010534	Ο-ΚΟΛΥЦО D24X3 O-RING D24X3	O-RING D24X3 O-RING D24X3	O-RING D24X3	1
0210	13010529	ДАТЧИК ИОНИЗ. D8X80 D4 D2X27 80° F+S ΙYONIZASYON SONDA D8X80 D4 D2X27 80° F+S	SONDA IONIZACION D8X80 D4 D2X27 80° F+S ΑΙΣΘΗΤΗΡΑΣ ΙΟΝΙΣΜ. D8X80 D4 D2X27 80° F+S	SONDA JONIZACYJNY D8X80 D4 D2X27 80° F+S	1
0220	13014989	КАБЕЛЬ ИОНИЗАЦ. MC4/D4 L500 ΙYONIZASYON KABLOSU MC4/D4 L500	CABO IONIZACION MC4/D4 L500 ΚΑΛΩΔΙΟ ΙΟΝΙΣΜΟΥ MC4/D4 L500	PRZEWÓD JONIZACYJNY MC4/D4 L500	1
0230	13010101	РАБОЧЕЕ КОЛЕСО Д.133X42 D10 TÜRBİN D133X42 D10	TURBINA D133X42 D10 ΦΤΕΡΩΤΗ D133X42 D10	WIMIK D133X42 D10	1
	13010517	РАБОЧЕЕ КОЛЕСО Д.133X62 D10 TÜRBİN D133X62 D10	TURBINA D133X62 D10 ΦΤΕΡΩΤΗ D133X62 D10	WIMIK D133X62 D10	1
0240	65326740	ЭЛЕКТРОДВИГАТЕЛЬ 0,085 KW 230V D10 MOTORU 0,085 KW 230V D10	MOTOR 0,085 KW 230V D10 ΜΟΤΕΡ 0,085 KW 230V D10	SILNIK 0,085 KW 230V D10	1
0241	13011117	ΚΟΝΔΕΝΣΑΤΟΡ 4µF 2P 3mm KONDENSATOR 4µF 2P 3MM	CAPACITOR 4µF 2P 3mm ΠΥΚΝΩΤΗΣ 4µF 2P 3MM	KONDENSATOR 4µF 2P 3MM	1
0250	13020723	ΚΡΟΝΣΤΕΙΝ ΠΝΕΒΜΟΡΕΠΕ D32 NAVA BASINÇ ŞALTERİ MESNEDİ D32	BASE MANÓSTATO AR D32 ΒΑΣΗ ΠΙΕΣΟΣΤΑΤΗ ΑΕΡΑ D32	WSPORNIK CZUJNIKA CIŚNI. POWIET. D32	1
0260	13020722	РЕЛЕ ДАВ. ВОЗДУХА 604.92 1-10MB+RAST NAVA BASINÇ ŞALT. 604.92 1-10MB+RAST	MANÓSTATO DE AR 604.92 1-10MB+RAST ΠΙΕΣΟΣΤΑΤΗΣ ΑΕΡΑ 604.92 1-10MB+RAST	CZUJNIK CIŚ. POW. 604.92 1-10MB+RAST	1
0270	13015497	ТРУБА Д4/7 L500 СИЛИКОНОВЫЙ BORU D4/7 L500 SILIKON	MANGUEIRA D4/7 L500 SILICONE ΣΩΛΗΝΑΣ D4/7 L500 SILICONE	PRZEWÓD D4/7 L500 SILIKON	1
0280	65300242	ΚΟЖУХ ΚΑΡΑΓΙ	COBERTURA ΚΑΛΥΜΜΑ	OSŁONA	1
3010	65300243	ГАЗОВЫЙ КЛАПАН VR4625 AA RP1/2" GAZ VANASI VR4625 AA RP1/2"	VALVULA GAS VR4625 AA RP1/2" ΒΑΛΒΙΔΑ ΑΕΡΙΟΥ VR4625 AA RP1/2"	ZAWÓR GAZOWY VR4625 AA RP1/2"	1
	65326915	ГАЗОВЫЙ КЛАПАН VR4625AA RP1/2 NO TC GAZ VANASI VR4625AA RP1/2 NO TC	VALVULA GAS VR4625AA RP1/2 NO TC ΒΑΛΒΙΔΑ ΑΕΡΙΟΥ VR4625AA RP1/2 NO TC	ZAWÓR GAZOWY VR4625AA RP1/2 NO TC	1
3011	65300244	ΦΛΑΝΕЦ ΚΛΑΠΑΝ VR4625AA RP1/2+SCREWS FLANŞI VANASI VR4625AA RP1/2+VIDASI	FLANGE VALVULA VR4625AA RP1/2+PARAFUSO ΦΛΑΝΤΖΑ VR4625AA RP1/2+ΒΙΔΑ	KOŁNIERZ ZAWÓR VR4625AA RP1/2+SCREWS	1
3020	65300246	ΚΟΛΛΕΚΤΟΡ/ΦΛΑΝΕЦ L115 VG1/NC4/6/9/10GX GAZ KOLEKT./FLANŞI L115 VG1/NC4/6/9/10GX	COLETOR GAS/FLANGE C115 VG1/NC4/6/9/10GX ΣΥΛΛΕΚΤΗΣ/ΦΛΑΝΤΖΑ L115 VG1/NC4/6/9/10GX	KOLEKTOR/KOŁNIERZ L115 VG1/NC4/6/9/10GX	1
3030	65300247	Ο-ΚΟΛΥЦА D24X3+D36X3+D33X2,6/VR4625 O-RING KITI D24X3+D36X3+D33X2,6/VR 4625	KIT O-RING D24X3+D36X3+D33X2,6/VR 4625 KIT O-RING D24X3+D36X3+D33X2,6/VR 4625	ZESTAW O-RING D24X3+D36X3+D33X2,6/VR4625	1
3040	65300248	ΔΙΑΦΡΑΓΜΑ (VG1.40/55-NC4/6GX1A) DİAΦΡΑΓΜΑ (VG1.40/55-NC4/6GX1A)	DİAΦΡΑΓΜΑ (VG1.40/55-NC4/6GX1A) ΔΙΑΦΡΑΓΜΑ (VG1.40/55-NC4/6GX1A)	OTWÓR (VG1.40/55-NC4/6GX1A)	1
4010	65300246	ΚΟΛΛΕΚΤΟΡ/ΦΛΑΝΕЦ L115 VG1/NC4/6/9/10GX GAZ KOLEKT./FLANŞI L115 VG1/NC4/6/9/10GX	COLETOR GAS/FLANGE C115 VG1/NC4/6/9/10GX ΣΥΛΛΕΚΤΗΣ/ΦΛΑΝΤΖΑ L115 VG1/NC4/6/9/10GX	KOLEKTOR/KOŁNIERZ L115 VG1/NC4/6/9/10GX	1
4020	65300249	ΦΛΑΝΕЦ MB407 RP1/2+ADAPTER GAS TUBE GİRİŞ FLANŞI MB407	FLANGE MB407 RP1/2+ADAPTER GAS TUBE ΦΛΑΝΤΖΑ MB407 RP1/2+ADAPTER GAS TUBE	KOŁNIERZ MB407 RP1/2+ADAPTER GAS TUBE	1
4021	13009722	ДАТЧИК ДАВЛЕНИЯ R1/8 R1/8 BASINÇ PRİZİ	TOMADA DE PRESSÃO R1/8 ΑΚΡΟ ΠΙΕΣΗΣ R1/8	GNAZDO CIŚNIENIOWE R1/8	1
4030	13012424	ГАЗОВЫЙ КЛАПАН MB407 B01 S20 RP3/4 GAZ VANASI MB407 B01 S20 RP3/4"	VALVULA GAS MB407 B01 S20 RP3/4 ΒΑΛΒΙΔΑ ΑΕΡΙΟΥ MB407 B01 S20 RP3/4"	ZAWÓR GAZOWY MB407 B01 S20 RP3/4"	1
	13023734	ГАЗОВЫЙ КЛАПАН MB407 B01 S22 RP3/4" GAZ VANASI MB407 B01 S22 RP3/4"	VÁLVULA GÁS MB407 B01 S22 RP3/4" ΒΑΛΒΙΔΑ ΑΕΡΙΟΥ MB407 B01 S22 RP3/4"	ZAWÓR GAZ. MB407 B01 S22 RP3/4"	1
4040	13010078	РЕЛЕ ДАВ. ВОЗДУХА GW 150 A5 5-150MB GAZ BASINÇ ŞALT. GW 150 A5 5-150MB	PRESSOSTATO GAS GW 150 A5 5-150MB ΠΙΕΣΟΣΤΑΤΗΣ ΑΕΡΙΟΥ GW150 A5 5-150MB	CZUJNIK CIŚ. GAZU GW 150 A5 5-150MB	1
	13023736	РЕЛЕ ДАВ. ВОЗДУХА GW 10 A5/1 1-10MB DIN GAZ BASINÇ ŞALT. GW 10 A5/1 1-10MB DIN	PRESSOSTATO GÁS GW 10 A5/1 1-10MB DIN ΠΙΕΣΟΣΤΑΤΗΣ ΑΕΡΙΟΥ GW 10 A5/1 1-10MB DIN	CZUJNIK CIŚ. GAZU GW 10 A5/1 1-10MB DIN	1
4050	65326948	ФИЛЬТРУЮЩИЙ ЭЛЕМЕНТ D20 /MB.405/407 FİLTRE ELEMANI D20 /MB.405/407	ELEMENTO FILTRANTE D20 /MB.405/407 ΑΝΤΑΛΛΑΚΤΙΚΟ ΦΙΛΤΡΟ D20 /MB.405/407	WKŁAD FILTRA D20 /MB.405/407	1
4060	13010074	ΦΛΑΝΕЦ MB405/407 RP3/4 +O-RING FLANŞI MB405/407 RP3/4 +O-RING	FLANGE MB405/407 RP3/4 +O-RING ΦΛΑΝΤΖΑ MB405/407 RP3/4 +O-RING	KOŁNIERZ MB405/407 RP3/4 +O-RING	1
4070	65300251	ΚΟΜ.Ο-RING D24X3+D11X2+D33X2,6/MB.407 O-RING KITI D24X3+D11X2+D33X2,6/MB.407	KIT O-RING D24X3+D11X2+D33X2,6/MB.407 KIT O-RING D24X3+D11X2+D33X2,6/MB.407	ZESTAW O-RING D24X3+D11X2+D33X2,6/MB.407	1

ADDRESSES

www.elco.net



LIST OF THE ABBREVIATIONS

-  : Maintenance parts / Pièces d'entretien / Materiali di consumo /
: Piezas de mantenimiento / Hilfsmaterial / Onderhoudsonderdelen
-  : Wearing parts / Pièces d'usure / Parti di usura
: Piezas de desgaste / Verschleissteile / Slijtageonderdelen
- * : Item not stocked, manufactured to order / Article non stocké, fabrication à la demande /
: Articolo non a magazzino, produzione all'ordine / Artículo no almacenado, fabricación previa solicitud /
: Keine Lagerware, wird bei Bedarf bestellt, Artikel niet op voorraad, fabricage op bestelling

IDENTIFICATION PLATE

SERIAL NUMBER

7 Characters : 00001 / K A

Sequential number

Trimester of manufacture : from A to D
Year of manufacture : K → 2003
L → 2004
M → 2005
etc ...

8 Characters : 00001 / L 09

Sequential number

Month of manufacture
Year of manufacture : K → 2003
L → 2004
M → 2005
etc ...

11 Characters : 2007 1370 P 07

Year of manufacture

Month of manufacture
Year of manufacture : P → 2007
R → 2008
S → 2009
T → 2010
U → 2011
W → 2012
X → 2013
Y → 2014
Z → 2015

Sequential number

18 Characters : 070115 000000000001

Sequential number
Manufacturing day (07) / Month (01) / Year (15)

The indications mentioned on the prices, commercial or technical literature and the scheme are written for your guidance and are available at a given time. The CONSTRUCTOR retains the power to modify the presentation, the form, the size, the conception or the material of the products.