



SPARE PARTS EXPLODED VIEW GAS BURNERS

Model

CB-VG2 E

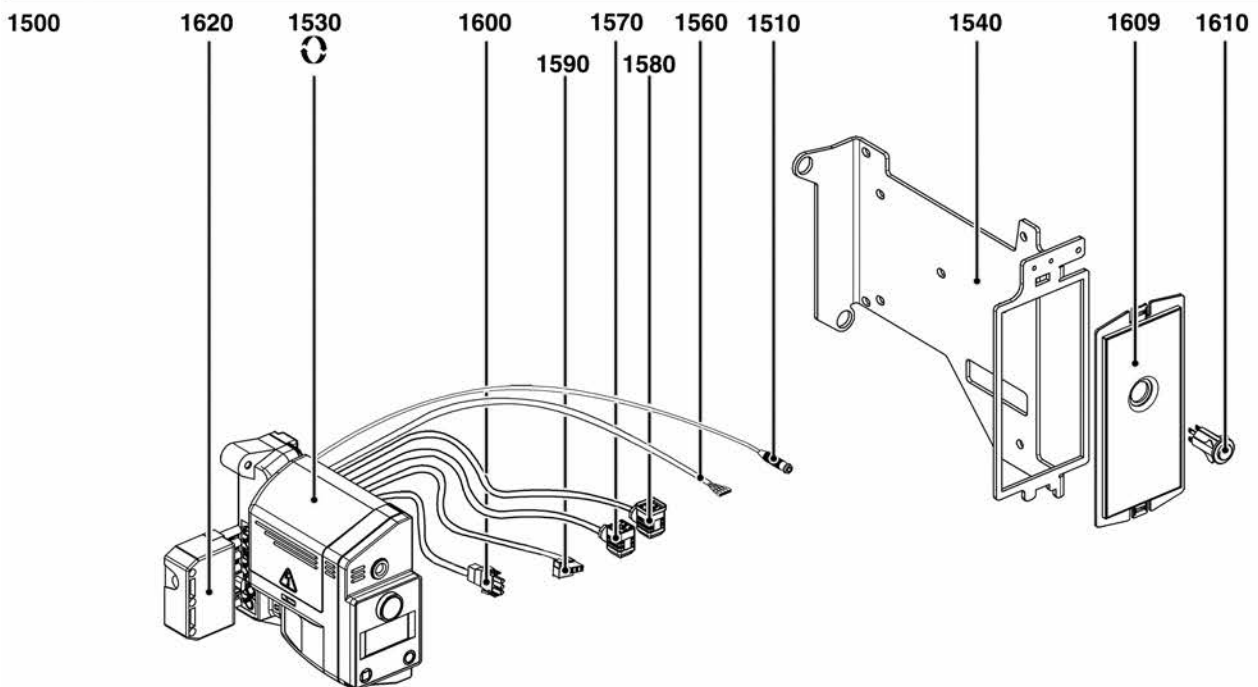
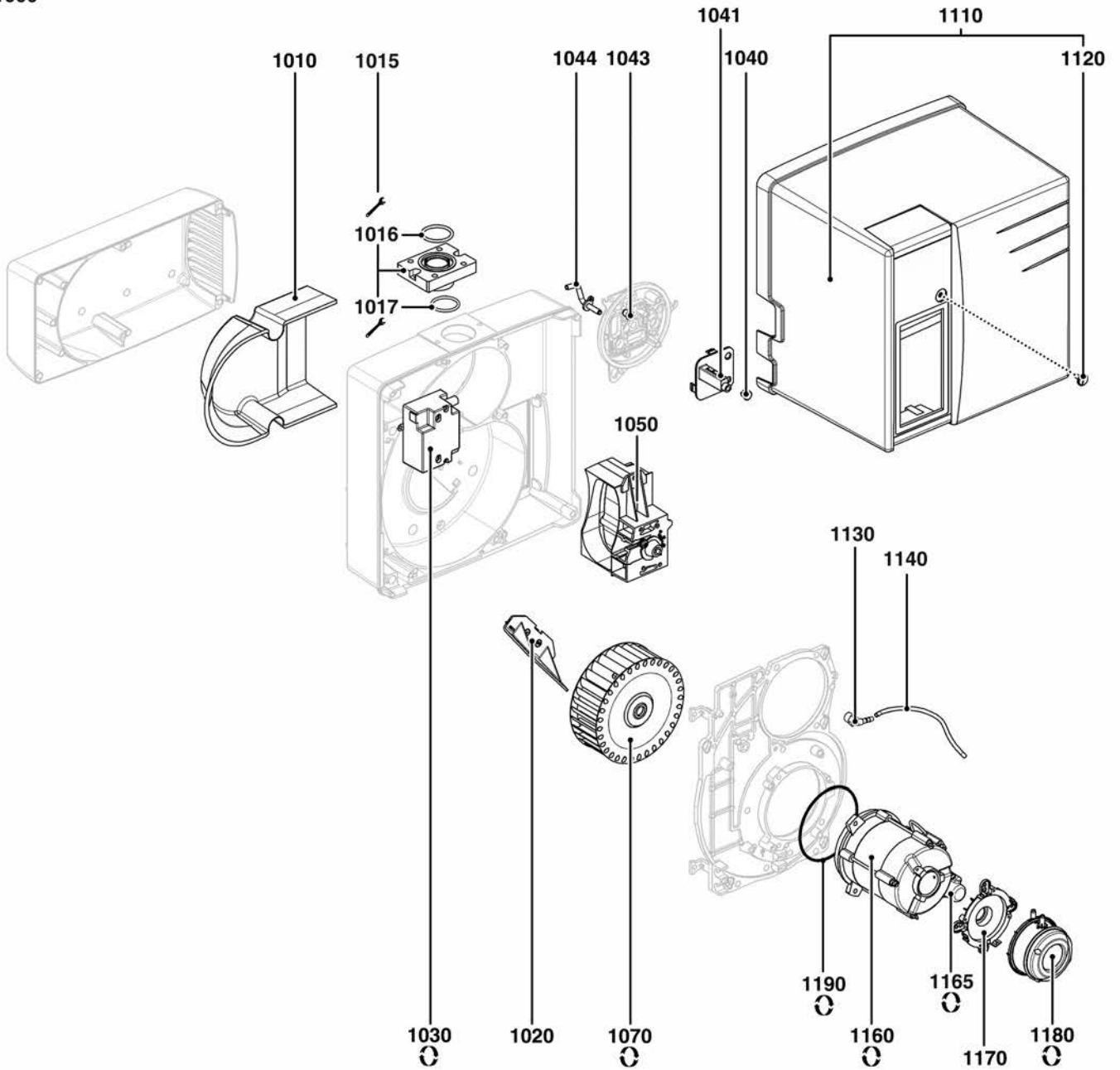
R8220271-01 - 11/07/2018

CB-VG2 E

Gas burners

1	3836349	CB-VG 2.140 E D3/4" RP3/4" KN	06-2018	-
2	3836350	CB-VG 2.140 E D3/4" RP3/4" KL	06-2018	-
3	3836353	CB-VG 2.205 E D3/4" RP3/4" KN	06-2018	-
4	3836354	CB-VG 2.205 E D3/4" RP3/4" KL	06-2018	-
5	3836351	CB-VG 2.205 E D1"1/4 RP1"1/4 KN	06-2018	-
6	3836352	CB-VG 2.205 E D1"1/4 RP1"1/4 KL	07-2018	-
Col	Reference	Model type	Begin	End

1000

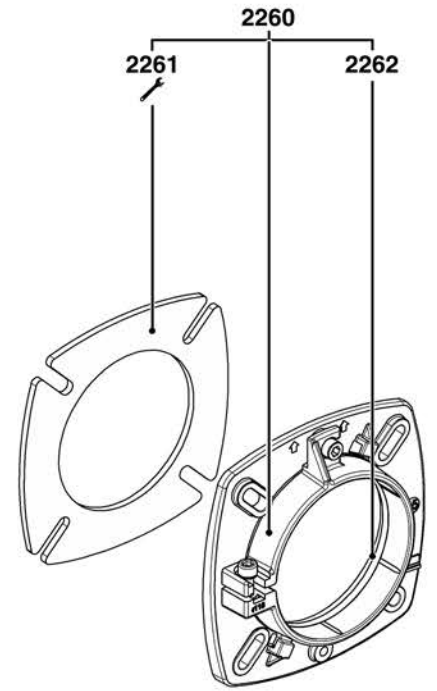
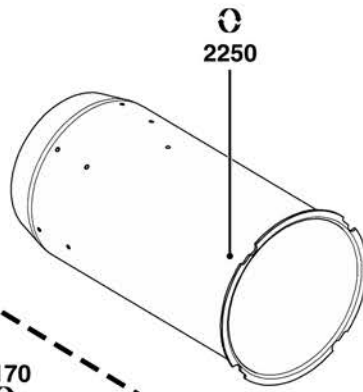
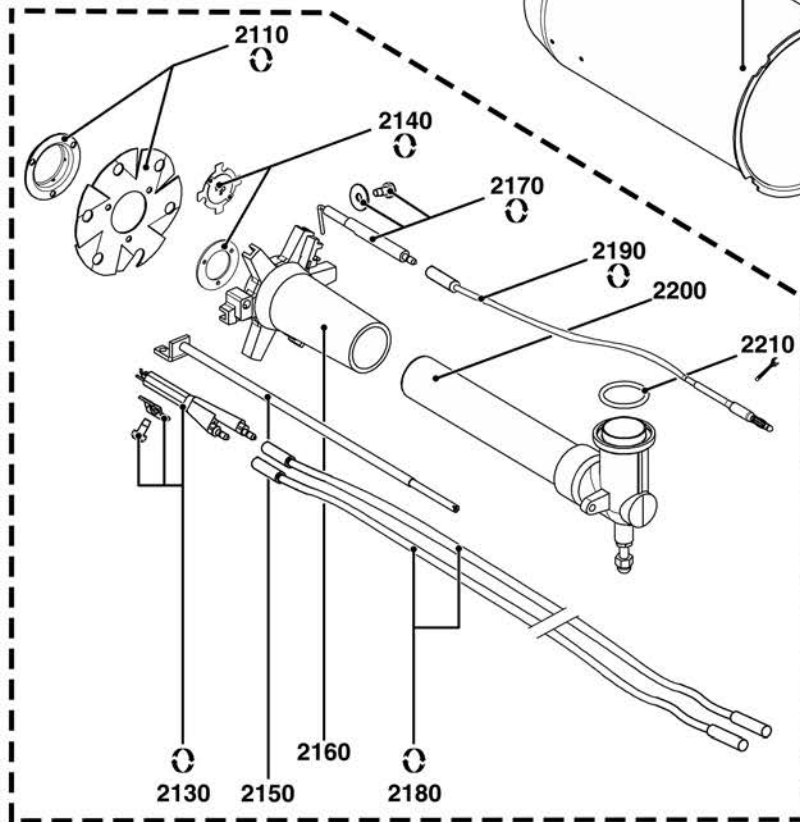


Description	Manf. Pt. N	Type	<div style="display: flex; justify-content: space-between; font-size: 8px;"> CB-VG2 2.140 E D3/4 R32/4 KN CB-VG2 2.140 E D3/4 R32/4 KL CB-VG2 2.105 E D3/4 R32/4 KN CB-VG2 2.105 E D3/4 R32/4 KL CB-VG2 2.285 E D3/4 R32/4 KN CB-VG2 2.285 E D3/4 R32/4 KL </div>																		From	to
			1	2	3	4	5	6	7	8	9	10	11	12	13	14	15	16	17	18		
1000 BURNER BODY																						
1010 INSULATION AIR INTAKE BOX	13017369		•	•	•	•	•	•														
1015 FLANGE 82X62X30 D27 GAS TUBE + O-RING	13022109		•	•	•	•	•	•														
1016 O-RING 4137 D34,52X3,53 NBR	13022908		•	•	•	•	•	•														
1017 O-RING D30X3	13018089		•	•	•	•	•	•														
1020 AIR RECYCLING 109/102X60 78° (WHITE)	13017363		•	•																		
AIR RECYCLING 119/114X60 78° (BLACK)	13017364				•	•	•	•														
1030 IGNITION TRANSFO. EBI 2X7,5 230V	13009663	2P	•	•																		
IGNITION TRANSFO.EBI 1X11 230V+EARTH CO.	65300715	1P			•	•	•	•														
1040 CABLE GROMMET BLACK D2,3/9	13010058		•	•	•	•	•	•														
1041 GAS DASHB.PLATE 61X60 D7,5+2XD9 GRAD.L52	13021960		•	•	•	•	•	•														
1043 CABLE GROMMET D5/9 (2 PIECES)	13007808		•	•	•	•	•	•														
1044 TUBE D.6+ AIR MEASURE FLANGE	13021961		•	•	•	•	•	•														
1050 AIR FLAP	13018138				•	•	•	•														
AIR FLAP ASSEMBLY	13023775		•	•																		
1070 FAN WHEEL D146 X52 D12,7	13010012		•	•																		
FAN WHEEL D160X52 D12,7	13010095				•	•	•	•														
1110 COVER VECTRON2+MOUNTING SCREW	65300723		•	•	•	•	•	•														
1120 FLAT HEAD SCREW M5X15	65300519		•	•	•	•	•	•														
1130 UNION ELBOW POLYAMID R1/8-D4	13013352		•	•	•	•	•	•														
1140 HOSE D4/7 L500 SILICONE	13015497		•	•	•	•	•	•														
1160 MOTOR 0,13KW230V D12,7	13010014				•	•	•	•														
MOTOR 0,1KW 230V D12,7 DRILLED	65327089		•	•																		
1165 CAPACITOR 5µF 2P 3mm	65325038	SIMEL 100W	•	•																		
CAPACITOR 8µF 2P 3mm	65300577	SIMEL 130W			•	•	•	•														
1170 AIR PRESSURE SWITCH BASE D32	13020723		•	•	•	•	•	•														
1180 AIR PRESS.SWITCH 604.91 0,5-5MB+RAST	13020502		•	•																		
AIR PRESS.SWITCH 604.92 1-10MB+RAST	13020722				•	•	•	•														
1190 SEAL D2,3 L350 EPDM FOAMED	65327445		•	•	•	•	•	•														
1500 ELECTRIC PART																						
1510 IONISATION CABLE MC4/RAST 1P L350	65300158		•	•	•	•	•	•														
1530 CONTROL UNIT TCG 141.03	65327446		•	•	•	•	•	•														
1540 CONTROL UNIT BRACKET+DISPLAY	65300727		•	•	•	•	•	•														
1560 CABLE RESET+PLUG FASTON/2XRAS2P L350	65300521		•	•	•	•	•	•														
1570 CABLE GAS VALVE+PLUG DIN/RAST5P L1500	65300570		•	•	•	•	•	•														
1580 CABLE GAS P.SWITCH+PLUG DIN/RAST2P L1500	13023698		•	•	•	•	•	•														
1590 CABLE IGNIT.TRANSFO+PLUG 2P/RAST2P L350	65300619		•	•	•	•	•	•														
1600 CABLE MOTOR+PLUG 3P/RAST3P L300	13010519		•	•	•	•	•	•														
1609 PLATE 170X81 BUTTON RESET CONTROL UNIT	65300523		•	•	•	•	•	•														
1610 RESET BUTTON D16/19X33 BLACK	13015182		•	•	•	•	•	•														
1620 WIELAND PLUG 7P SILK-SCREEN PRINTED	13010523		•	•	•	•	•	•														

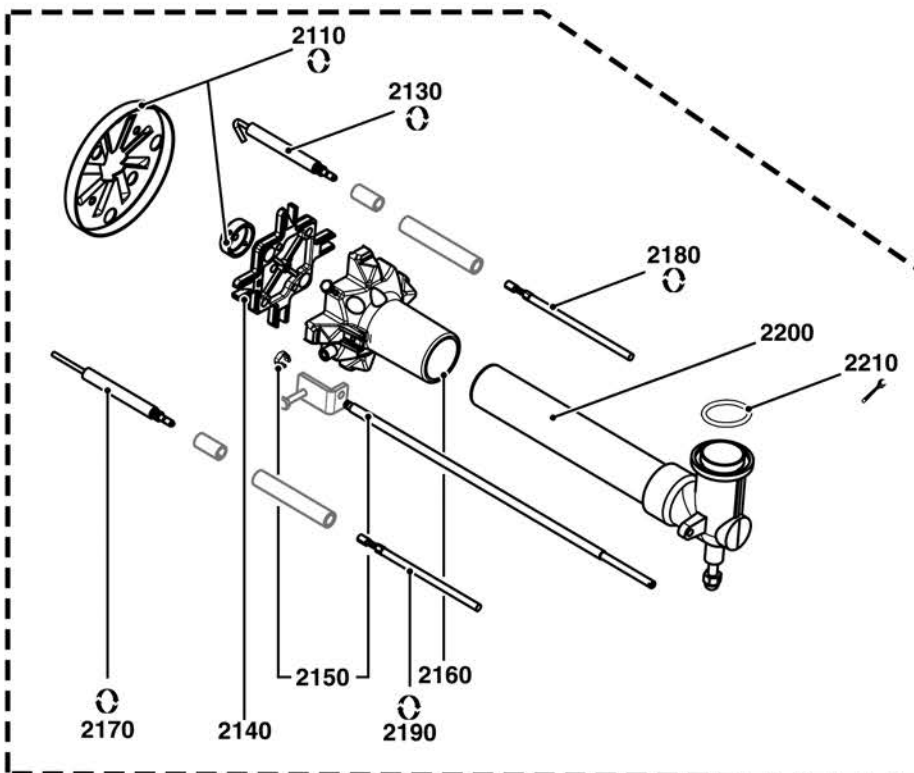
CB-VG2 E

Gas burners

120/140/160 kW



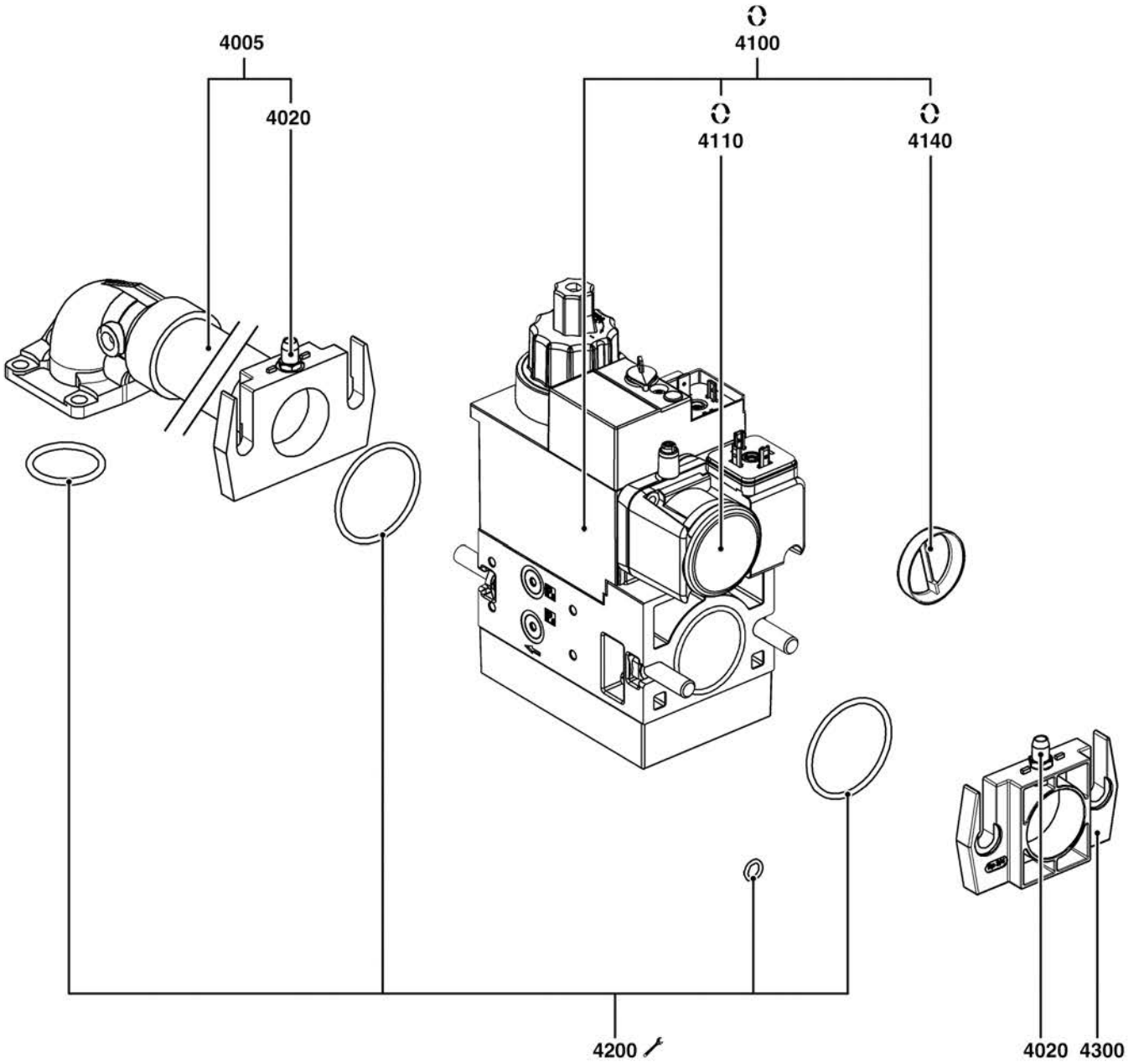
205 kW



☉⇒	Description	Manf. Pt. N	Type	<div style="display: flex; justify-content: space-between; font-size: 8px;"> CB-VG 2.140 E D3/4 RP2/4 KN CB-VG 2.140 E D3/4 RP2/4 KN CB-VG 2.205 E D3/4 RP2/4 KL CB-VG 2.205 E D3/4 RP2/4 KN CB-VG 2.285 E D11/4 RP1/4 KL CB-VG 2.285 E D11/4 RP1/4 KN </div>														From	to
				1	2	3	4	5	6	7	8	9	10	11	12	13	14		
2000	COMBUSTION HEAD																		
2110	BAFFLE PLATE D74,5/24,5 8SL R +DIFF. D50	13019123		•	•														
	BAFFLE PLATE D95/25 8SL + NOZZLE D24.5	65327447				•	•	•	•										
2130	ELECTRODE BLOCK 12X46 D4 D1,2X10	65300738		•	•														
	IGNIT.ELECTRODE D8X61d4/6,4D3X17,5 130°	65105897				•	•	•	•										
2140	CAP STAR GAS HEAD 55X55X8 4 SL,3,5MM LPG	65321616	LPG			•	•	•	•										
	SHUTTER D57 LPG	13019125	LPG	•	•														
2150	ADJUST ROD D6 L257 M6/D5	13022192		•															
	ADJUST ROD D6 L377 M6/D5	13022193			•														
	ADJUST ROD VGX 2.200 (T1/KN)	65327461				•		•											
	ADJUST ROD VGX 2.200 (T2/KL)	65327467					•		•										
2160	GAS HEAD L67 D72/22 +O-RING 4 BRANCH.	13010532		•	•														
	GAS HEAD VGX 2.200	65327464				•	•	•	•										
2170	IONISATION PROBE D8X61 d4/6,4 D3X30	65111742				•	•	•	•										
	IONISATION PROBE D8X80 D4 D2X27 80° F+S	13010529		•	•														
2180	IGNITION CABLE D4/D4 L365 AP (X1)	13013524		•															
	IGNITION CABLE D4/D4 L510 AP (X1)	13014990			•														
	IGNITION CABLE D5 L365 CARBON	65327462				•		•											
	IGNITION CABLE D5 L510 CARBON	65327468					•		•										
2190	IONISATION CABLE D4 BAN/D4 L350	13013525		•		•		•											
	IONISATION CABLE MC4/D4 L650	13015121			•		•		•										
2200	GAS INLET TUBE+ELBOW D22X215 T1/KN	13018027		•															
	GAS INLET TUBE+ELBOW D22X335 T2/KL	13018028			•														
	GAS INLET TUBE+ELBOW VGX 2.200 (T1/KN)	65327460				•		•											
	GAS INLET TUBE+ELBOW VGX 2.200 (T2/KL)	65327466					•		•										
2210	O-RING D30X3	13018089		•	•	•	•	•	•										
2250	FLAME TUBE D115/125/85X255 (T1/KN)	65327459				•		•											
	FLAME TUBE D115/125/85X375 (T2/KL)	65327465					•		•										
	FLAME TUBE D115/78/75 L230	13020498		•															
	FLAME TUBE D115/78/75 L350	13020499			•														
2260	BOILER ACCESSORY D115 EUROFLANGE	13018134		•	•														
	BOILER ACCESSORY D125 EUROFLANGE	65327457				•	•	•	•										
2261	GASKET/BURNER FLANGE 176X176X8 D115	13018135		•	•														
	GASKET/BURNER FLANGE D125	65327458				•	•	•	•										
2262	GASKET/BRAID D115X5X5-377	13020517		•	•														
	GASKET/BRAID D125	65327463				•	•	•	•										

CB-VG2 E

Gas burners



☉⇒	Description	Manf. Pt. N	Type	<div style="display: flex; justify-content: space-between; font-size: small;"> CB-VG 2.140 E D34/4 RP3/4 KN CB-VG 2.140 E D34/4 RP3/4 KL CB-VG 2.205 E D34/4 RP3/4 KN CB-VG 2.205 E D34/4 RP3/4 KL CB-VG 2.285 E D11/4 RP1 1/4 KN CB-VG 2.285 E D11/4 RP1 1/4 KL </div>																		From	to
				1	2	3	4	5	6	7	8	9	10	11	12	13	14	15	16	17	18		
4000	GAS TRAIN																						
4005	COMPLETE COLLECTOR	13018098		•	•	•	•																
	COMPLETE COLLECTOR	13018623						•	•														
4020	PRESSURE TAP R1/8	13009722		•	•	•	•	•	•														
4100	GAS VALVE MB-DLE407 B01 S20 RP3/4	13012424		•	•	•	•																
	GAS VALVE MB-DLE412 B01 S20 RP1 1/4	13020503						•	•														
4110	GAS PRESS.SWITCH GW 150 A5 5-150MB	13010078		•	•	•	•	•	•														
4140	STRAINER D20 /MB..405/407	65326948		•	•	•	•																
	STRAINER D30 / MB..410/412	65327438						•	•														
4200	O-RING D34,5X3,5 SET+GASKET COVER/MB407	13011111		•	•	•	•																
	O-RING KIT D34,5X3,5+D11X2/MB..412	13011114						•	•														
4300	FLANGE MB405/407 RP3/4 +O-RING	13010074		•	•	•	•																
	FLANGE MB410/412 RP1 1/4	13010085						•	•														

CB-VG2 E
Gas burners

		DE NL	FR ES	IT	X
1010	13017369	ISOLIERUNG 220x158 LUFTKASTEN ISOLATIE LUCHTKAST	ISOLATION BOITE A AIR AISLAMIENTO CAJA DE AIRE	ISOLAMENTO SCATOLA DELL'ARIA	1
1015	13022109	FLANSCH 82X62X30 D27 GASROHR + O-RING FLENS 82X62X30 D27 GASBUIJS + O-RING	BRIDE 82X62X30 D27 TUBE GAZ + O-RING BRIDA 82X62X30 D27 TUBERIA GAS + O-RING	FLANGIA 82X62X30 D27 TUBO GAS + O-RING	1
1016	13022908	O-RING 4137 D34,52X3,53 NBR O-RING 4137 D34,52X3,53 NBR	O-RING 4137 D34,52X3,53 NBR O-RING 4137 D34,52X3,53 NBR	O-RING 4137 D34,52X3,53 NBR	1
1017	13018089	O-RING D30X3 O-RING BB /GT V-G2/02/EK 02 /C7 /10 /14G	O-RING D30X3 O-RING D30X3	O-RING D30X3	1
1020	13017363	ANSAUGLUFTFUEHRUNG 109/102X60 78°(WEISS) LUCHTGELEIDING 109/102X60 78° (WIT)	RECYCLAGE AIR 109/102X60 78° (BLANC) RECICLAJE DE AIRE 109/102X60 78°(BLANCO)	CONVOGLIATO. ARIA 109/102X60 78°(BIANCO)	1
	13017364	ANSAUGLUFTFUEHR. 119/114X60 78°(SCHWARZ) LUCHTGELEIDING 119/114X60 78° (ZWART)	RECYCLAGE AIR 119/114X60 78° (NOIR) RECICLAJE DE AIRE 119/114X60 78° (NEGRO)	CONVOGLIATORE ARIA 119/114X60 78° (NERO)	1
1030	13009663	ZUENDTRAF0 EBI 2X7,5 230V ONTSTEKINGSTRAFO EBI 2X7,5 230V	ALLUMEUR EBI 2X7,5 230V ENCENDEDOR EBI 2X7,5 230V	TRASFO. ACC. EBI 2X7,5 230V+PRESA TERRA	1
	65300715	ZUENDTRAF0 EBI 1X11 230V ONTSTEKINGSTRAFO EBI 1X11 230V	ALLUMEUR EBI 1X11 230V+PRISE TERRE ENCENDEDOR EBI 1X11 230V	TRASFO. ACC. EBI 1X11 230V+PRESA TERRA	1
1040	13010058	TUELLE KABEL SCHWARZ D2,3/9 DRAADDOORVOER ZWART D2,3/9	PASSE-CABLE D2,3/9 PLASTIQUE NOIR PASACABLE NEGRO D2,3/9	PASSACAVO NERO D2,3/9	1
1041	13021960	GAS DECKPLATTE 61X60 D7,5+2XD9 SKALA L52 AFDEKPLAAT GAS 61X60 D7,5+2XD9 GRAD.L52	PLAQUET.TAB.GAZ 61X60 D7,5+2XD9 GRAD.L52 PLACA PANEL GAS 61X60 D7,5+2XD9 GRAD.L52	PIASTRINA GAS 61X60 D7,5+2XD9 GRAD.L52	1
1043	13007808	TUELLE KABEL D5/9 (2 STÜCKE) SCHWARZ DRAADDOORVOER D5/9 (2 STUKKEN) ZWART	PASSE-CABLE NOIR D 5/9 (2 PIECES) PASSACABLE D5/9 (2 PIEZAS) NEGRO	PASSA CAVO NERO D5/9 (2 PEZZI)	1
1044	13021961	CU-ROHR D6+FLANSCH F.LUFTMES BUIJS D.6+FLENS VOOR METING VAN DE LUCHT	TUBE D.6+BRIDE POUR MESURE D'AIR TUBO D.6+ BRIDA PARA MEDICIÓN DE AIRE	TUBO D.6+ FLANGIA DI MISURA PER L'ARIA	1
1050	13018138	LUFTKLAPPEN BG LUCHTKLEP V-L 2 IV-G /L 02 COMPLEET	VOLET D'AIR VÁLVULA DE AIRE	SERRANDA DELL'ARIA	1
	13023775	LUFTKLAPPE BG LUCHTKLEPEENHEID	ENSEMBLE VOLET AIR CONJUNTO VÁLVULA DE AIRE	GRUPPO SERRANDA DELL'ARIA	1
1070	13010012	VENTILATORRAD D146X52 d12,7 VENTILATORWIEL D146X52 d12,7	TURBINE D146 X52 D12,7 TURBINA D146X52 d12,7	VENTOLA D146 X52 d12,7	1
	13010095	VENTILATORRAD D160X52 D12,7 VENTILATORWIEL D160X52 D12,7	TURBINE D160X52 D12,7 TURBINA D160X52 D12,7	VENTOLA D160X52 D12,7	1
1110	65300723	BRENNERHAUBE VECTRON2+SCHRAUBE BRANDERKAP V-L /G2 + BEV.SCHROEF	CAPOT VECTRON2+VIS CUBIERTA VECTRON2+TORNILLO DE FIJACIÓN	COFANO VECTRON2+VITE DI FISSAGGIO	1
1120	65300519	FLACHKOPF-SCHRAUBE M5X15+SPITZE PLATKOPPSCHROEF M5X15	VIS A TETE PLATE M5X15 TORNILLO DE CABEZA PLANA M5X15	VITE A TESTA PIANA M5X15	1
1130	13013352	WINKELVERSCHRAUBUNG POLYAMIDE 1/8-D.4 AANSLUITING GEBOUGEN POLYAMIDE 1/8 -D.4	RACCOR COUDE POLYAMIDE 1/8-D.4 RACOR ACODADO POLYAMIDE 1/8 -D.4	RACCORDO GOMITO POLYAMIDE 1/8 -D.4	1
1140	13015497	SCHLAUCH ID4/7X500 SILIKON TRANSPARENT SLANG D4/7 L500 SILIKON	TUYAU D4/7 L500 SILICONE MANGUERA D4/7 L500 SILICONA	TUBETTO D4/7 L500 SILICONE	1
1160	13010014	MOTOR 0,13KW230V D12,7 BRANDERMOTOR VG/L02/2 210/EK03G/F 0,13KW	MOTEUR 0,13KW 230V D12,7 MOTOR 0,13KW230V D12,7	MOTORE 0,13KW230V D12,7	1
	65327089	MOTOR 0,1KW 230V D12,7+BOHRUNGEN MOTOR 0,1KW 230V D12,7 GEBOORD	MOTEUR 0,1KW 230V D12,7+PERCAGES MOTOR 0,1KW 230V D12,7 PERFORADO	MOTORE 0,1KW 230V D12,7 FORATO	1
1165	65300577	KONDENSATOR 8µF 2P 3mm CONDENSATOR 8µF 2P 3mm	CONDENSATEUR 8µF 2P 3mm CONDENSADOR 8µF 2P 3mm	CONDENSATORE 8µF 2P 3mm	1
	65325038	KONDENSATOR 5µF 2P 3mm CONDENSATOR 5µF 2P 3mm	CONDENSATEUR 5µF 2P 3mm CONDENSADOR 5µF 2P 3mm	CONDENSATORE 5µF 2P 3mm	1
1170	13020723	HALTER D32 LUFTDRUCKWAECHTER HUB LUCHTDRUKSCHAKELAAR STEUN D32	SUPPORT MANOSTAT AIR D32 SOPORTE DEL MANOSTATO DE AIRE D32	SUPPORTO PRESSOSTATO DELL'ARIA D32	1
1180	13020502	LUFTDRUCKWAECHTER 604.91 0,5-5MB+RAST LUCHTDRUKSCHAKELAAR 604.91 0,5-5MB+RAST	MANOSTAT AIR 604.91 0,5-5MB+RAST PRESOSTATO AIRE 604.91 0,5-5MB+RAST	PRESSOSTATO ARIA 604.91 0,5-5MB+RAST	1
	13020722	LUFTDRUCKWAECHTER 604.92 1-10MB+RAST LUCHTDRUKSCHAKELAAR 604.92 1-10MB+RAST	MANOSTAT AIR 604.92 1-10MB+RAST PRESOSTATO AIRE 604.92 1-10MB+RAST	PRESSOSTATO ARIA 604.92 1-10MB+RAST	1
1190	65327445	DICHTUNG D2,3 L350 EPDM GESCHÄUMT SEALSCHUIM EPDM D2,3 L350	JOINT EN MOUSSE EPDM D2,3 L350 JUNTA DE ESPUMA EPDM D2,3 L350	GUARNIZIONE D2,3 L350 IN EPDM ESPANSO	1
1510	65300158	IONISATIONS KABEL MC4/RAST1P L350 IONISATIEKABEL MC4/RAST1P L350	CABLE IONISATION MC4/RAST1P L350 CABLE IONIZACION MC4/RAST1P L350	CAVO RIVELAZIONE MC4/RAST1P L350	1
1530	65327446	FEUERUNGSAUTOMAT TCG 141.03 BRANDERAUTOMAAT TCG 141.03	COFFRET TCG 141.03 PROGRAMADOR TCG 141.03	APPARECCHIATURA TCG 141.03	1
1540	65300727	HALTER Z.FEUERUNGS A.U.ANZEIGE STEUN VAN DE AUTOMAAT+DISPLAY	SUPPORT COFFRET+AFFICHEUR SOPORTE DEL CAJETÍN+PANTALLA	SUPPORTO PROGRAMM.+VISUALIZZ.	1
1560	65300521	KABEL RESET+STECKER FASTON/2XRAST2P L350 KABEL RESET+STCKFASTON/2XRAST2P L350	CABLE REARM.+PRISE FASTON/2XRAST2P L350 CABLE RESET+TOMA FASTON/2XRAST2P L350	CAVO RESET+PRESA FASTON/2XRAST2P L350	1
1570	65300570	KABEL GASVENTIL+STCK DIN/RAST5P L1500 KABEL GASKLEP+STCKDIN/RAST5P L1500	CABLE VANNE GAZ+PRISE DIN/RAST5P L1500 CABLE VALVULA GAS+TOMA DIN/RAST5P L1500	CAVO VALVOLA GAS+PRESA DIN/RAST5P L1500	1
1580	13023698	KABEL GDW.+STECKER DIN/RAST2P L1500 G.DRUKSCHAKEL.KABEL+STCKDIN/RAST2P L1500	CABLE MANO GAZ+PRISE DIN/RAST2P L1500 CABLE PRESOST.AIRE+TOMA DIN/RAST2P L1500	CAVO PRESSOST.GAS+PRESA DIN/RAST2P L1500	1
1590	65300619	KABEL ZÜNDTRAF0+STCK 2P/RAST2P L350 ONTSTEKINGSTRAFOKAB.+STCK.2P/RAST2P L350	CABLE ALLUMEUR+PRISE 2P/RAST2P L350 CABLE ENCENDEDOR+TOMA 2P/RAST2P L350	CAVO TRASFO ACCENS.+PRESA 2P/RAST2P L350	1
1600	13010519	KABEL MOTOR+STECKER 3P/RAST3P L300 KABEL MOTOR+STCK3P/RAST3P L300	CABLE MOTEUR+PRISE 3P/RAST3P L300 CABLE MOTOR+TOMA 3P/RAST3P L300	CAVO MOTORE+PRESA 3P/RAST3P L300	1

		DE	FR	IT	
		NL	ES		
1609	65300523	PLATTE 170X81 ENTRIEGELUNGSKNOPF BCU AFSLUITPLAAT 170X81 RESET KNOP BCU.	PLAQUE 170X81 BOUTON REARMEMENT COFFRET PLACA 170X81 BOTÓN REINICIO PROGRAMADOR	PIASTRA 170X81 PULSANTE RIARMO APPARECC.	1
1610	13015182	ENTRIEGLUNGSKNOPF D16/19X33 SCHWARZ ONTGREDELINGSKNOP D16/19X33 ZWART	BOUTON REARMEMENT D16/19X33 NOIR BOTON DESBLOQUEO D16/19X33 NEGRO	BOTTONE RIARMO D16/19X33 NERO	1
1620	13010523	WIELANDSTECKER 7 P.MANN CONTACTSTOP WIELAND 7P SERIGRAPHIE	PRISE WIELAND 7P MALE SERIGRAPHIE TOMA WIELAND 7P MALE SERIGRAPHIE	SPINA WIELAND 7P SERIGRAFIA	1
2110	13019123	STAUSCHEIBE D74.5/24.5 8SL R +DIFF. D50 STUWPLAAT D74.5/24.5 8SL R +DIFF. D50	DEFLECTEUR D74.5/24.5 8SL R +DIFF. D50 DEFLECTOR D74.5/24.5 8SL R +DIFF. D50	DIFFUSORE D74.5/24.5 8SL R +DIFF. D50	1
	65327447	STAUSCHEIBE D95/25 8SL + DÜSE D24.5 STUWPLAAT D95/25 8SL + NOZZLE D24.5	DEFLECTEUR D95/25 8SL + DIFFUSEUR D24.5 DEFLECTOR D95/25 8SL + DIFUSOR D24.5	DIFFUSORE D95/25 8SL + INIETTORE D24.5	1
2130	65105897	ZUENDELEKTRODE D8X61d4/6,4D3X17,5 130° ONTSTEKINGSPEN D8X61d4/6,4D3X17,5 130°	ELECTRODE ALLUM.D8X61d4/6,4D3X17,5 130° ELECTRODO ENCEND.D8X61d4/6,4D3X17,5 130°	ELETTRODO ACCEN.D8X61d4/6,4D3X17,5 130°	1
	65300738	ZUENDELEKTRODENBLOCK 12X46 D4 D1,2X10 ELEKTRODENBLOK 12X46 D4 D1,2X10	BLOC-ELECTRODES 12X46 D4 D1,2X10 BLOQUE ELECTRODOS 12X46 D4 D1,2X10	BLOCCO ELETTRODI 12X46 D4 D1,2X10	1
2140	13019125	FLUSSIGE VERSCHLUSS D57 SLUITER LPG D57	OBTURATEUR GAZ GPL D57 OBTURADOR GPL D57	OTTURATORE GAS GPL D57	1
	65321616	STOPF.GASKOPFAUFSATZ 55X55X8 4SL.3,5 LPG STOP GASKOP 55X55X8 4 SL.3,5MM LPG	CALOTTE TETE GAZ 55X55X8 4 F.3,5MM GPL TAPÓN CABEZA GAS 55X55X8 4 SL.3,5MM GPL	TAPPO TESTA GAS 55X55X8 4 SL.3,5MM GPL	1
2150	13022192	SCHUBSTANGE D6 L257 M6/D5 STELSTANG D6 L257 M6/D5	TIGE REGLAGE D6 L257 M6/D5 VARILLA AJUSTE D6 L257 M6/D5	ASTA REGOLAZIONE D6 L257 M6/D5	1
	13022193	SCHUBSTANGE D6 L377 M6/D5 STELSTANG D6 L377 M6/D5	TIGE REGLAGE D6 L377 M6/D5 VARILLA AJUSTE D6 L377 M6/D5	ASTA REGOLAZIONE D6 L377 M6/D5	1
	65327461	SCHUBSTANGE VGX 2.200 (T1/KN) STELSTANG VGX 2.200 (T1/KN)	TIGE REGLAGE VGX 2.200 (T1/KN) VARILLA AJUSTE VGX 2.200 (T1/KN)	ASTA REGOLAZIONE VGX 2.200 (T1/KN)	1
	65327467	SCHUBSTANGE VGX 2.200 (T2/KL) STELSTANG VGX 2.200 (T2/KL)	TIGE REGLAGE VGX 2.200 (T2/KL) VARILLA AJUSTE VGX 2.200 (T2/KL)	ASTA REGOLAZIONE VGX 2.200 (T2/KL)	1
2160	13010532	GASKOP L67 D72/22 +O-RING 4 BRANCH. GASKOP L67 D72/22 +O-RING 4 BRANCH.	TETE GAZ L67 D72/22 +O-RING 4 BRANCHES CABEZA GAS L67 D72/22 +O-RING 4 BRANCH.	TESTA GAS L67 D72/22 +O-RING 4 BRANCH.	1
	65327464	GASKOPF VGX 2.200 GASKOP VGX 2.200	TETE GAZ VGX 2.200 CABEZA GAS VGX 2.200	TESTA GAS VGX 2.200	1
2170	13010529	IONISATIONSSONDE D8X80 D4 D2X27 80° F+S IONISATIEPEN D8X80 D4 D2X27 80° F+S	SONDE IONISATION D8X80 D4 D2X27 80° F+S SONDA IONIZACION D8X80 D4 D2X27 80° F+S	SONDA RIVELAZIONE D8X80 D4 D2X27 80° F+S	1
	65111742	IONISATIONSSONDE D8X61 d4/6,4 D3X30 IONISATIEPEN D8X61 d4/6,4 D3X30	SONDE IONISATION D8X61 d4/6,4 D3X30 SONDA IONIZACION D8X61 d4/6,4 D3X30	SONDA RIVELAZIONE D8X61 d4/6,4 D3X30	1
2180	13013524	ZUENDKABEL D4/D4 L365 AP (X1) ONTSTEKINGSKABEL V-G /L2/02 KN,L=365MM	CABLE ALLUMAGE D4/D4 L365 AP (X1) CABLE ENCENDIDO D4/D4 L365 AP (X1)	CAVO ACCENSIONE D4/D4 L365 AP (X1)	1
	13014990	ZUENDKABEL D4/D4 L510 AP (X1) ONTSTEKINGSKABEL D4/D4 L510 AP (X1)	CABLE ALLUMAGE D4/D4 L510 AP (X1) CABLE ENCENDIDO D4/D4 L510 AP (X1)	CAVO ACCENSIONE D4/D4 L510 AP (X1)	1
	65327462	ZUENDKABEL D5 L365 CARBON ONTSTEKINGSKABEL D5 L365 CARBON	CABLE ALLUMAGE CARBONE D5 L365 CABLE ENCENDIDO D5 L365 CARBON	CAVO ACCENSIONE D5 L365 CARBON	1
	65327468	ZUENDKABEL D5 L510 CARBON ONTSTEKINGSKABEL D5 L510 CARBON	CABLE ALLUMAGE CARBONE D5 L510 CABLE ENCENDIDO D5 L510 CARBON	CAVO ACCENSIONE D5 L510 CARBON	1
2190	13013525	IONISATIONSKABEL D4 BAN/D4 L350 IONISATIEKABEL V-G2/120/160/210 KN,L=350	CABLE IONISATION D4 BAN/D4 L350 CABLE IONIZACION D4 BAN/D4 L350	CAVO RIVELAZIONE D4 BAN/D4 L350	1
	13015121	IONISATIONSKABEL MC4/D4 L650 IONISATIEKABEL MC4/D4 L650	CABLE IONISATION MC4/D4 L650 CABLE IONIZACION C4/D4 L650	CAVO RIVELAZIONE MC4/D4 L650	1
2200	13018027	GASBOGEN+ROHR D22X215 T1/KN GASTOEVOERBUIS+BOCHT D22X215 T1/KN	TUBE D'AMENEE GAZ+COUDE D22X215 T1/KN TUBO CONDUCCIÓN GAS+CODO D22X215 T1/KN	TUBO ADDUZIONE GAS+GOMITO D22X215 T1/KN	1
	13018028	GASBOGEN+ROHR D22X335 T2/KL GASTOEVOERBUIS+BOCHT D22X335 T2/KL	TUBE D'AMENEE GAZ+COUDE D22X335 T2/KL TUBO CONDUCCIÓN GAS+CODO D22X335 T2/KL	TUBO ADDUZIONE GAS+GOMITO D22X335 T2/KL	1
	65327460	GASBOGEN+ROHR VGX 2.200 (T1/KN) GASTOEVOERBUIS+BOCHT VGX 2.200 (T1/KN)	TUBE D'AMENEE GAZ+COUDE VGX 2.200(T1/KN) TUBO CONDUCCIÓN GAS+CODO VGX2.200(T1/KN)	TUBO ADDUZ. GAS+GOMITO VGX 2.200 (T1/KN)	1
	65327466	GASBOGEN+ROHR VGX 2.200 (T2/KL) GASTOEVOERBUIS+BOCHT VGX 2.200 (T2/KL)	TUBE D'AMENEE GAZ+COUDE VGX 2.200(T2/KL) TUBO CONDUCCIÓN GAS+CODO VGX2.200(T2/KL)	TUBO ADDUZ. GAS+GOMITO VGX 2.200 (T2/KL)	1
2210	13018089	O-RING D30X3 O-RING BB /GT V-G2/02/EK 02 /C7 /10 /14G	O-RING D30X3 O-RING D30X3	O-RING D30X3	1
2250	13020498	BRENNERROHR D115/78/75 L230 BRANDERBUIS D115/78/75 L230	TUBE DE FLAMME D115/78/75 L230 TUBO DE LLAMA D115/78/75 L230	BOCCAGLIO D115/78/75 L230	1
	13020499	BRENNERROHR D115/78/75 L350 BRANDERBUIS D115/78/75 L350	TUBE DE FLAMME D115/78/75 L350 TUBO DE LLAMA D115/78/75 L350	BOCCAGLIO D115/78/75 L350	1
	65327459	FLAMMENROHR D115/125/85X255 (T1/KN) BRANDERBUIS D115/125/85X255 (T1/KN)	TUBE DE FLAMME D115/125/85X255 (T1/KN) TUBO DE LLAMA D115/125/85X255 (T1/KN)	BOCCAGLIO D115/125/85X255 (T1/KN)	1
	65327465	FLAMMENROHR D115/125/85X375 (T2/KL) BRANDERBUIS D115/125/85X375 (T2/KL)	TUBE DE FLAMME D115/125/85X375 (T2/KL) TUBO DE LLAMA D115/125/85X375 (T2/KL)	BOCCAGLIO D115/125/85X375 (T2/KL)	1
2260	13018134	KESSELZUBEHOER D115 EUROFLANSCH BEVESTIGINGSSET KETEL D115 EUROFLENS	ACCESSOIRE CHAUDIERE D115 EUROBRIDE ACCESORIO CALDERA D115 EUROBRIDA	ACCESSORIO CALDAIA D115 EUROFLANGIA	1
	65327457	ANSCHLUSSFLANSCH BG D125 BEVESTIGINGSSET KETEL D125 EUROFLENS	ACCESSOIRE CHAUDIERE D125 EUROBRIDE ACCESORIO CALDERA D125 EUROBRIDA	ACCESSORIO CALDAIA D125 EUROFLANGIA	1
2261	13018135	DICHTUNG/BRENNERFLANSCH 176X176X8 D115 PAKKING MONTAGEFL.V-G/L2/02 176x176,Ø115	JOINT/BRIDE BRULEUR 176X176X8 D115 JUNTA/BRIDA QUEMADOR 176X176X8 D115	GUARNIZIONE/FLANGIA BRUC. 176X176X8 D115	1
	65327458	DICHTUNG/BRENNERFLANSCH D125 PAKKING/OPHANGFLENS D125	JOINT/BRIDE BRULEUR D125 JUNTA/BRIDA QUEMADOR D125	GUARNIZIONE/FLANGIA BRUC. D125	1

					
1010	13017369	ИЗОЛЯЦИЯ ВОЗДУШНОГО БЛОКА İZOLASYONU HAVA KUTUSU	ISOLAMENTO CAIXA DE ENTRADA DE AR	IZOLACJA OBUDOWA UKŁADU POWIETRZA	1
1015	13022109	ФЛАНЕЦ 82X62X30 D27 ТРУБКА ГАЗОВ.+O-RING FLANŞI 82X62X30 D27 TUPLU GAZ + O-RING	FLANGE 82X62X30 D27 TUBO GAS +O-RING	KOŁNIERZ 82X62X30 D27 BORUSU GAZ.+O-RING	1
1016	13022908	O-КОЛЬЦО 4137 D34,52X3,53 NBR O-RING 4137 D34,52X3,53 NBR	O-RING 4137 D34,52X3,53 NBR	O-RING 4137 D34,52X3,53 NBR	1
1017	13018089	O-КОЛЬЦО D30X3 O-RING D30X3	O-RING D30X3	O-RING D30X3	1
1020	13017363	ЗАСЛОН.РЕЦИРК.ВОЗДУХА 109/102X60 (БЕЛЫЙ) HAVA GERI DÖNÜŞÜMÜ 109/102X60 78°(BEYAZ)	RECICLAGEM DE AR 109/102X60 78° (BRANCO)	RECYRKULACJA POWIE.109/102X60 78°(BIAŁY)	1
	13017364	ЗАСЛОН.РЕЦИРК.ВОЗДУХА 119/114X60(ЧЕРНЫЙ) HAVA GERI DÖNÜŞÜMÜ 119/114X60 78°(SIYAH)	RECICLAGEM DE AR 119/114X60 78° (PRETO)	RECYRKUL.POWIETR. 119/114X60 78°(CZARNY)	1
1030	13009663	ТРАНСФО РОЗЖИГА EBI 2X7,5 230V ATEŞLEME TRAFO. EBI 2X7,5 230V	TRANSFO IGNIÇÃO EBI 2X7,5 230V	TRANSFO ZAPŁONOWY EBI 2X7,5 230V	1
	65300715	ТРАНСФО РОЗЖИГА EBI 1X11 230V ATEŞLEME TRAFO. EBI 1X11 230V+TOPRAK SO.	TRANSFO IGNIÇÃO EBI 1X11 230V	TRANSFOZAPŁ.EBI 1X11 230V+UZIEMI.ZŁĄCZE	1
1040	13010058	УПЛОТНЕНИЕ D2,3/9 KABLO KANALI D2,3/9	PASACABOS PRETO D2,3/9	PRZELOTKA PRZEWODU D2,3/9	1
1041	13021960	ЩИТОК ПАНЕЛИ GAS 61X60 D7,5+2XD9GRAD.L52 GÖS.PLAKASI GAZU 61X60 D7,5+2XD9GRAD.L52	PLACA PAINEL GAS 61X60 D7,5+2XD9GRAD.L52	PŁYTA TABLI.GAS 61X60 D7,5+2XD9 GRAD.L52	1
1043	13007808	УПЛОТНЕНИЕ D5/9 (2 КУСКА) ЧЕРНЫЙ KABLO KANALI D5/9 ATEŞLEME KABL.(2PARCA)	PASACABOS D5/9 (2 PECAS) PRETO	PRZELOTKA D5/9 PRZEWÓD ZAPŁON. (2KAWAŁ.)	1
1044	13021961	ТРУБКА Д.6+ФЛАНЕЦ МЕРА ВОЗДУХА BORU D.6+ HAVA OELÇMEK İÇİN FLANŞ	TUBO D.6+ FLANGE MEDIÇÃO DE AR	PRZEWÓD D.6+ KOŁNIERZ DO POMIARU POWIETR	1
1050	13018138	ВОЗДУШНАЯ ЗАСЛОНКА HAVA Klapesi	ALETA DE AR	PRZEPUSTNICA POWIETRZA	1
	13023775	УЗЕЛ ВОЗДУШНАЯ ЗАСЛОНКА HAVA Klapesi grubu	CONJUNTO ALETA DE AR	ZESPÓŁ PRZEPUSTNICA POWIETRZA	1
1070	13010012	РАБОЧЕЕ КОЛЕСО D146X52 d12,7 TÜRBİN D146X52 D12,7	TURBINA D146X52 d12,7	WIMIK D146X52 D12,7	1
	13010095	РАБОЧЕЕ КОЛЕСО D160X52 D12,7 TÜRBİN D160X52 D12,7	TURBINA D160X52 D12,7	WIMIK D160X52 D12,7	1
1110	65300723	ЧЕХОЛ VECTRON2+ ВИНТ КРЕПЛЕНИЯ MUNAFAZA KARAĞI VECTRON2+BAĞLANTI VIDA	EXTRATOR VECTRON2+PARAFUSO DE FIXAÇÃO	POKRYWA VECTRON2+SRUBA MOCUJĄCA	1
1120	65300519	ВИНТ С ПЛОСКОЙ ГОЛОВКОЙ M5X15 DÜZ BAŞLI VIDA M5X15	PARAFUSO CABEÇA PLANA M5X15	ŚRUBA Z ŁBEM NITOWYM PŁASKIM M5X15	1
1130	13013352	ШТУЦЕР УГЛОВОЙ POLYAMIDE 1/8 -D.4 BASINÇ GIRIŞİ AR	UNIÃO COTOVELO POLYAMIDE 1/8 -D.4	GNIAZDO POMIARU CIŚNIENIA	1
1140	13015497	ТРУБА Д4/7 L500 СИЛИКОНОВЫЙ BORU D4/7 L500 SILIKON	MANGUEIRA D4/7 L500 SILICONE	PRZEWÓD D4/7 L500 SILIKON	1
1160	13010014	ЭЛЕКТРОДВИГАТЕЛЬ 0,13KW230V D12,7 MOTORU 0,13KW 230V D12,7	MOTOR 0,13KW230V D12,7	SILNIK 0,13KW 230V D12,7	1
	65327089	ЭЛЕКТРОДВИГАТЕЛЬ 0,1KW230V D12,7 ПРОБУР. MOTORU 0,1KW 230V D12,7 DELINMIŞ	MOTOR 0,1KW 230V D12,7 PERFURADO	SILNIK 0,1KW 230V D12,7 WYDRAŻONY	1
1165	65300577	КОНДЕНСАТОР 8µF 2P 3mm KONDENSATOR 8µF	CAPACITOR 8µF 2P 3mm	KONDENSATOR 8µF	1
	65325038	КОНДЕНСАТОР 5µF 2P 3mm KONDENSATOR 5µF 2P 3MM	CAPACITOR 5µF 2P 3mm	KONDENSATOR 5µF 2P 3MM	1
1170	13020723	КРОНШТЕЙН ПНЕВМОРЕЛЕ D32 HAVA BASINÇ ŞALTERİ MESNEDİ D32	BASE MANÓSTATO AR D32	WSPORNIK CZUJNIKA CIŚNI. POWIET. D32	1
1180	13020502	РЕЛЕ ДАВ. ВОЗДУХА 604.91 0,5-5MB+RAST HAVA BASINÇ ŞALT. 604.91 0,5-5MB+RAST	MANÓSTATO DE AR 604.91 0,5-5MB+RAST	CZUJNIK CIŚ. POW. 604.91 0,5-5MB+RAST	1
	13020722	РЕЛЕ ДАВ. ВОЗДУХА 604.92 1-10MB+RAST HAVA BASINÇ ŞALT. 604.92 1-10MB+RAST	MANÓSTATO DE AR 604.92 1-10MB+RAST	CZUJNIK CIŚ. POW. 604.92 1-10MB+RAST	1
1190	65327445	УПЛОТНЕНИЕ ВСПЕНЕННОЕ EPDM D2,3 L350 KÖPÜKLÜ MÜHÜR EPDM D2,3 L350	SELO ESPUMADO EPDM D2,3 L350	USZCZELNIENIE SPIENIONE EPDM D2,3 L350	1
1510	65300158	КАБЕЛЬ ИОНИЗАЦ. MC4/RAST1P L350 İYONİZASYON KABLOSU MC4/RAST1P L350	CABO IONIZACION MC4/RAST1P L350	PRZEWÓD JONIZACYJNY MC4/RAST1P L350	1
1530	65327446	БЛОК УПРАВЛЕНИЯ TCG 141.03 KUTU TCG 141.03	PROGRAMADOR TCG 141.03	MODUŁ TCG 141.03	1
1540	65300727	ОПОРА БЛОКА УПРАВЛЕНИЯ+ДИСПЛЕЙ KUTU DESTEĞİ+EKRAN	SUPORTE UNIDADE DE CONTROLE+VISOR	WSPORNIK MODUŁU+WYŚWIETLACZ	1
1560	65300521	КАБЕЛЬ RESET+PLUGFASTON/2XRAST2P L350 KABLOSU RESET+PLUGFASTON/2XRAST2P L350	CABO RESET+TOMADA FASTON/2XRAST2P L350	PRZEWÓD RESET+PLUGFASTON/2XRAST2P L350	1
1570	65300570	КАБЕЛЬ ГАЗОВЫЙ КЛАПАН+P.DIN/RAST5P L1500 GAZ VANASI KABLOSU+PLUGDIN/RAST5P L1500	CABO VALVULA GAS+TOMADA DIN/RAST5P L1500	PRZEWÓD ZAWÓR GAZOWY+PL.DIN/RAST5P L1500	1
1580	13023698	КАБЕЛЬ РЕЛЕ ДАВ. ГАЗА+P.DIN/RAST2P L1500 GAZ BAS.ŞALT.KABLOSU+PL.DIN/RAST2P L1500	CABO PRESSOST.GAS+TOMAD.DIN/RAST2P L1500	PRZEWÓD CZUJN.CIŚ.GAZU+DIN/RAST2P L1500	1
1590	65300619	КАБЕЛЬ ТРАНСФО РОЗЖИГА+ШТ.2P/RAST2P L350 KABLOSU ATEŞL. TRAFO.+FİŞ 2P/RAST2P L350	CABO TRANSFO IGNIÇÃO+TOM.2P/RAST2P L350	PRZEWÓD TRANSFO ZAPŁ.+WTY.2P/RAST2P L350	1
1600	13010519	КАБЕЛЬ ЭЛЕКТРОДВИГАТЕЛЬ+P.3P/RAST3P L300 MOTORU KABLOSU+FİŞ 3P/RAST3P L300	CABO MOTOR+TOMADA 3P/RAST3P L300	PRZEWÓD SILNIK+WTYCZKA 3P/RAST3P L300	1

					
1609	65300523	КНОПКА 170X81 СБРОСА ПЛАСТИНЫ ВСU MASASI 170X81 /KILIT AÇMA BUTONU KUTU	PLACA 170X81 BOTÃO DE REARME PROGRAMADOR	OSŁONA 170X81 PRZYCISK RESET MODUŁ	1
1610	13015182	КНОПКА РАЗБЛОКИРОВКИ D16/19X33 BLACK BOŞALTIMA BUTONU D16/19X33 BLACK	BOTÃO REARME D16/19X33 PRETO	PRZYCISK ODBLOKOWUJĄCY D16/19X33 BLACK	1
1620	13010523	ШТЕКЕР WIELAND 7P 7P ERKEK WIELAND PRIZI	TOMADA WIELAND 7P MACHO SERIGRAPHIE	GNIAZDO WIELAND MĘSKIE 7P	1
2110	13019123	ДЕФЛЕКТОР D74,5/24,5 8SL R +DIFF. D50 DEFLEKTOR D74,5/24,5 8SL R +DIFF. D50	DEFLECTOR D74,5/24,5 8SL R +DIFF. D50	DEFLEKTOR D74,5/24,5 8SL R +DIFF. D50	1
	65327447	ДЕФЛЕКТОР D95/25 8SL + ДИФУЗОРЫ D24.5 DEFLEKTOR D95/25 8SL + DIFÜZÖRLER D24.5	DEFLECTOR D95/25 8SL + DIFUSOR D24.5	DEFLEKTOR D95/25 8SL + DYSZ D24.5	1
2130	65105897	ЭЛЕКТРОД ЗАЖИГАН.D8X61d4/6,4D3X17,5 130° ATEŞLEYİCİ ELEKT.D8X61d4/6,4D3X17,5 130°	ELETRODO ENCEND.D8X61d4/6,4D3X17,5 130°	ELEKTRODA ALU.D8X61d4/6,4D3X17,5 130°	1
	65300738	БЛОК ЭЛЕКТРОДОВ 12X46 D4 D1,2X10 ELEKTROD BLOĞU 12X46 D4 D1,2X10	BLOCO ELETRODO 12X46 D4 D1,2X10	BLOK ELEKTROD 12X46 D4 D1,2X10	1
2140	13019125	ЗАТВОР LPG D57 OBTURATÖR LPG D57	OBTURADOR GPL D57	ZALUZJA LPG D57	1
	65321616	КРЫШКА ОГНЕВАЯ ГОЛОВКА 55X55X8 4 SL.3.5 TAPA GAZ KAFA 55X55X8 4 SL.3,5MM LPG	TAMPA CABEÇA GAS 55X55X8 4 SL.3.5MM GPL	NAKR.ŁŁOWICA GAZ 55X55X8 4 SL.3,5MM LPG	1
2150	13022192	РЕГУЛИР.СТЕРЖЕНЬ D6 L257 M6/D5 AYAR ÇUBUĞU D6 L257 M6/D5	HASTE AJUSTE D6 L257 M6/D5	TRZPIEŃ REGULACYJNY D6 L257 M6/D5	1
	13022193	РЕГУЛИР.СТЕРЖЕНЬ D6 L377 M6/D5 AYAR ÇUBUĞU D6 L377 M6/D5	HASTE AJUSTE D6 L377 M6/D5	TRZPIEŃ REGULACYJNY D6 L377 M6/D5	1
	65327461	РЕГУЛИР.СТЕРЖЕНЬ VGX 2.200 (T1/KN) AYAR ÇUBUĞU VGX 2.200 (T1/KN)	HASTE AJUSTE VGX 2.200 (T1/KN)	TRZPIEŃ REGULACYJNY VGX 2.200 (T1/KN)	1
	65327467	РЕГУЛИР.СТЕРЖЕНЬ VGX 2.200 (T2/KL) AYAR ÇUBUĞU VGX 2.200 (T2/KL)	HASTE AJUSTE VGX 2.200 (T2/KL)	TRZPIEŃ REGULACYJNY VGX 2.200 (T2/KL)	1
2160	13010532	ОГНЕВАЯ ГОЛ.Л67 D72/22 +O-RING 4 BRANCH. GAZ KAFA L67 D72/22 +O-RING 4 BRANCH.	CABEÇA GAS L67 D72/22 +O-RING 4 BRANCH.	ŁŁOWICA GAZ L67 D72/22 +O-RING 4 BRANCH.	1
	65327464	ОГНЕВАЯ ГОЛОВКА VGX 2.200 GAZ KAFA VGX 2.200	CABECA GAS VGX 2.200	ŁŁOWICA GAZ VGX 2.200	1
2170	13010529	ДАТЧИК ИОНИЗ. D8X80 D4 D2X27 80° F+S İYONIZASYON SONDA D8X80 D4 D2X27 80° F+S	SONDA IONIZACION D8X80 D4 D2X27 80° F+S	SONDA JONIZACYJNY D8X80 D4 D2X27 80° F+S	1
	65111742	ДАТЧИК ИОНИЗАЦИОННОГО D8X61 d4/6,4 D3X30 İYONIZASYON SONDA D8X61 d4/6,4 D3X30	SONDA IONIZACION D8X61 d4/6,4 D3X30	SONDA JONIZACYJNY D8X61 d4/6,4 D3X30	1
2180	13013524	КАБЕЛЬ РОЗЖИГА D4/D4 L365 AP (X1) ATEŞLEME KABLOSU D4/D4 L365 AP (X1)	CABO IGNIZACAO D4/D4 L365 AP (X1)	PRZEWÓD ZAPŁONOWY D4/D4 L365 AP (X1)	1
	13014990	КАБЕЛЬ РОЗЖИГА D4/D4 L510 AP (X1) ATEŞLEME KABLOSU D4/D4 L510 AP (X1)	CABO IGNIZACAO D4/D4 L510 AP (X1)	PRZEWÓD ZAPŁONOWY D4/D4 L510 AP (X1)	1
	65327462	КАБЕЛЬ РОЗЖИГА D5 L365 CARBON ATEŞLEME KABLOSU D5 L365 CARBON	CABO IGNIZACAO D5 L365 CARBON	PRZEWÓD ZAPŁONOWY D5 L365 CARBON	1
	65327468	КАБЕЛЬ РОЗЖИГА D5 L510 CARBON ATEŞLEME KABLOSU D5 L510 CARBON	CABO IGNIZACAO D5 L510 CARBON	PRZEWÓD ZAPŁONOWY D5 L510 CARBON	1
2190	13013525	КАБЕЛЬ ИОНИЗАЦ. D4 BAN/D4 L350 İYONIZASYON KABLOSU D4 BAN/D4 L350	CABO IONIZACION D4 BAN/D4 L350	PRZEWÓD JONIZACYJNY D4 BAN/D4 L350	1
	13015121	КАБЕЛЬ ИОНИЗАЦ. MC4/D4 L650 İYONIZASYON KABLOSU MC4/D4 L650	CABO IONIZACION MC4/D4 L650	PRZEWÓD JONIZACYJNY MC4/D4 L650	1
2200	13018027	ТРУБКА ПОДВОДА ГАЗА+КОЛЕНО D22X215 T1/KN GAZ GELİŞ BORUSU+DIRSEK D22X215 T1/KN	TUBO ENTRADA GÁS+COTOVELO D22X215 T1/KN	PRZEWÓD DOPROWAD.GAZU+KOL. D22X215 T1/KN	1
	13018028	ТРУБКА ПОДВОДА ГАЗА+КОЛЕНО D22X335 T2/KL GAZ GELİŞ BORUSU+DIRSEK D22X335 T2/KL	TUBO ENTRADA GÁS+COTOVELO D22X335 T2/KL	PRZEWÓD DOPROWAD. GAZU+KOL D22X335 T2/KL	1
	65327460	ТРУБКА ПОДВ.ГАЗА+КОЛЕНО VGX 2.200(T1/KN) GAZ GELİŞ BORUSU+DIRSEK VGX 2.200(T1/KN)	TUBO ENTRAD.GÁS+COTOVEL.VGX 2.200(T1/KN)	PRZEWÓD DOPROW.GAZU+KOL.VGX 2.200(T1/KN)	1
	65327466	ТРУБКА ПОДВ.ГАЗА+КОЛЕНО VGX 2.200(T2/KL) GAZ GELİŞ BORUSU+DIRSEK VGX 2.200(T2/KL)	TUBO ENTRAD.GÁS+COTOVEL.VGX 2.200(T2/KL)	PRZEWÓD DOPROW.GAZU+KOL.VGX 2.200(T2/KL)	1
2210	13018089	О-КОЛЬЦО D30X3 O-RING D30X3	O-RING D30X3	O-RING D30X3	1
2250	13020498	СОПЛО ГОРЕЛКИ D115/78/75 L230 BRÜLÖR BORUSU D115/78/75 L230	TUBO DO QUEIMADOR D115/78/75 L230	RURA PALNIKA D115/78/75 L230	1
	13020499	СОПЛО ГОРЕЛКИ D115/78/75 L350 BRÜLÖR BORUSU D115/78/75 L350	TUBO DO QUEIMADOR D115/78/75 L350	RURA PALNIKA D115/78/75 L350	1
	65327459	СОПЛО ГОРЕЛКИ D115/125/85X255 (T1/KN) BRÜLÖR BORUSU D115/125/85X255 (T1/KN)	TUBO DO QUEIMADOR D115/125/85X255(T1/KN)	RURA PALNIKA D115/125/85X255 (T1/KN)	1
	65327465	СОПЛО ГОРЕЛКИ D115/125/85X375 (T2/KL) BRÜLÖR BORUSU D115/125/85X375 (T2/KL)	TUBO DO QUEIMADOR D115/125/85X375(T2/KL)	RURA PALNIKA D115/125/85X375 (T2/KL)	1
2260	13018134	ПРИНАДЛЕЖНОСТИ КОТЛА D115 EUROBRIDE KAZAN AKSESUARLARI D115 EUROBRIDE	ACCESORIO CALDERA D115 EUROFLANGE	AKCESORIA DO KOTŁA D115 EUROBRIDE	1
	65327457	ПРИНАДЛЕЖНОСТИ КОТЛА D125 EURO-ФЛАНЕЦ KAZAN AKSESUARLARI D125 EURO-FLANŞI	ACESSÓRIO CALDEIRA D125 EUROFLANGE	AKCESORIA ZASOBNIKA D125 EUROFLANGE	1
2261	13018135	ПРОКЛАДКА/ФЛАНЕЦ ГОРЕЛКИ 176X176X8 D115 CONTASI/BRULOR FLANŞI 176X176X8 D115	GAXETA/FLANGE QUEIMADOR 176X176X8 D115	USZCZELKA/KOŁNIERZ PAL.176X176X8 D115	1
	65327458	ПРОКЛАДКА/ФЛАНЕЦ ГОРЕЛКИ D125 CONTASI/BRULOR FLANŞI D125	GAXETA/FLANGE QUEIMADOR D125	USZCZELKA/KOŁNIERZ PAL. D125	1

