



SPARE PARTS EXPLODED VIEW  
DUAL-FUEL BURNERS

Model

**CB-VGL2**

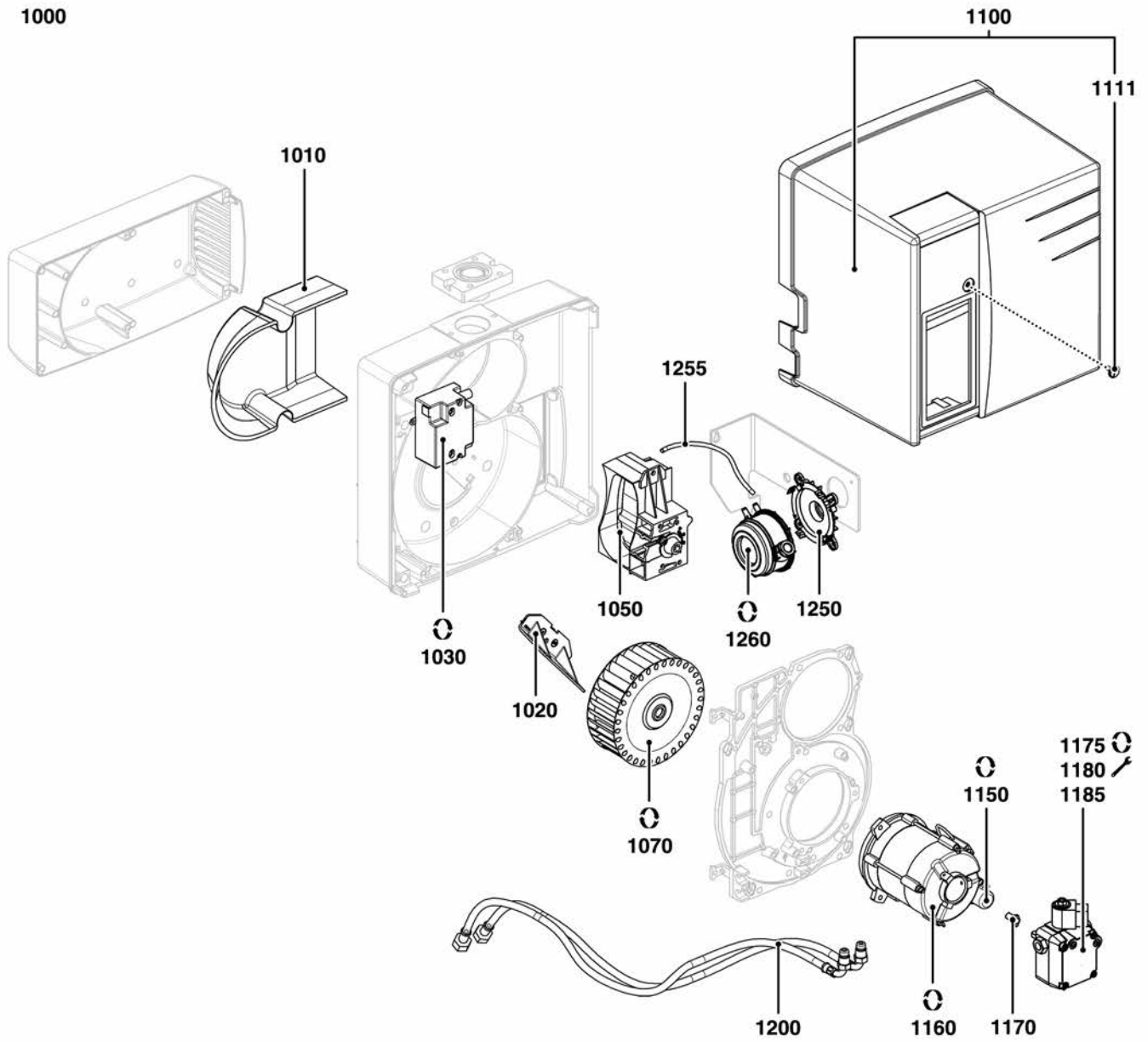
R8220015-01 - 04/02/2015

CB-VGL2

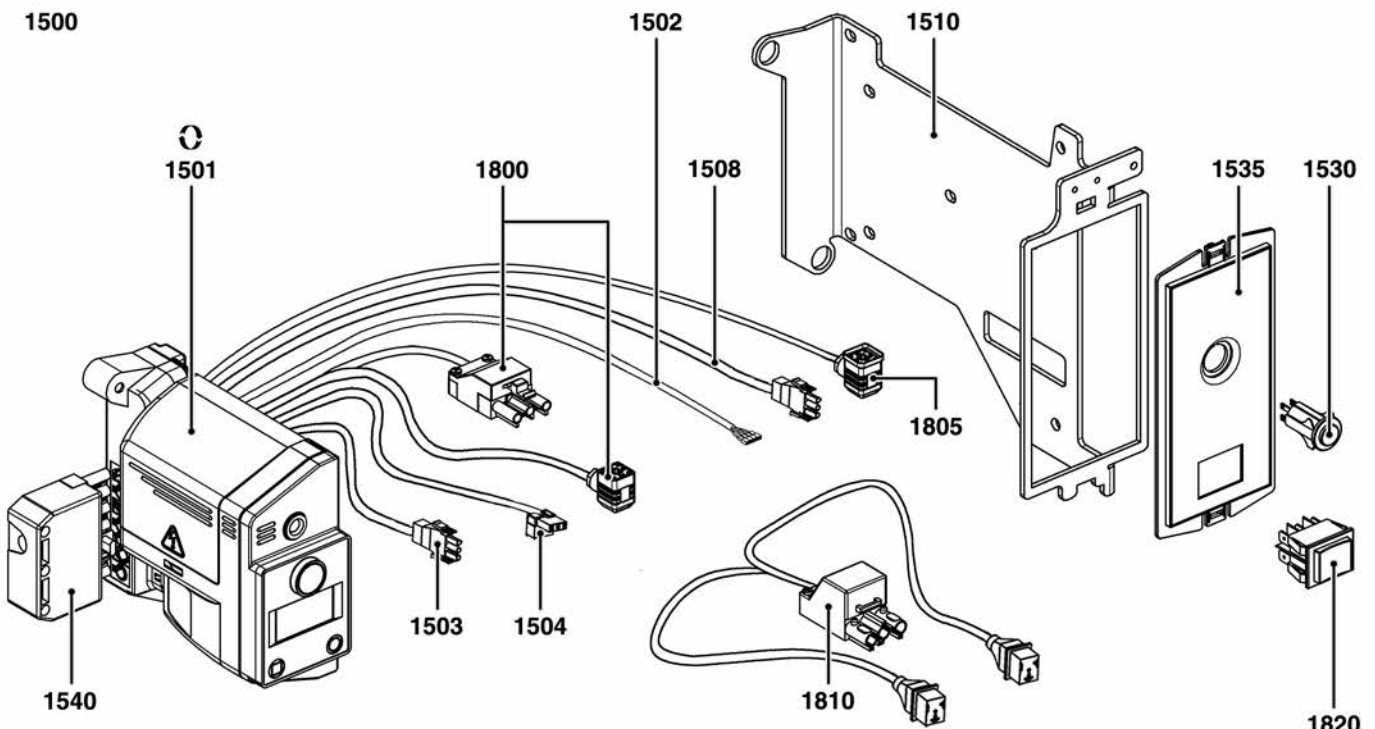
Dual-Fuel burner

1	3833494	CB-VGL2.120 d13 3/4"-Rp3/4" KL	07-2011	-
2	3833495	CB-VGL2.210 d14 3/4"-Rp3/4" KL	07-2011	-
Col	Reference	Model type	Begin	End

1000



1500



CB-VGL2, 120 d12, 3µF, Regular KL  
 CB-VGL2, 210 d14, 3µF, Regular KL

31

☉⇒	Description	Manf. Pt. N	Type	1 2 3 4 5 6 7 8 9 10 11 12 13 14 15 16 17 18 From to																	
				1	2	3	4	5	6	7	8	9	10	11	12	13	14	15	16	17	18
<b>1000</b>	<b>BURNER BODY</b>																				
1010	INSULATION AIR INTAKE BOX	13017369		•	•																
1020	AIR RECYCLING (BLACK)	13017364			•																
	AIR RECYCLING (WHITE)	13017363		•																	
1030	IGNITION TRANSFO. EBI 2X7,5 230V	13009663		•	•																
1050	AIR FLAP ASSEMBLY	13023775		•	•																
1070	FAN WHEEL D146X52 d12,7	13010012		•																	
	FAN WHEEL D160X52 d12,7	13010095			•																
1100	HOOD VECTRON2+MOUNTING SCREW	65300723		•	•																
1111	FLAT HEAD SCREW M5X15	65300519		•	•																
1150	CAPACITOR 5µF ALU M8	65325038		•																	
	CAPACITOR 6,3µF ALU M8	13010016			•																
1160	MOTOR 0,13KW230V D12,7	13010014			•																
	MOTOR 0,16KW230V D12,7	13009981		•																	
1170	PUMP/MOTOR COUPLING	13018143		•	•																
1175	OIL PUMP AS 47 D 1696	13010118	AS	•	•																
	OIL PUMP BFP 21 L3 R2	65300856	BFP	•	•																
1180	FILTERSET PUMP SUNTEC+DANFOSS	65300834		•	•																
1185	COIL DAN 071N0010 230V	65323773	BFP	•	•																
	COIL X PUMP AS47/AL35 220/240V	13010006	AS	•	•																
1200	HOSE MW4 FC3/8 MG1/4 90	13007942		•	•																
1250	AIR PRESSURE SWITCH BASE D32	13020723		•	•																
1255	COMPENSATION TUBE	573576		•	•																
1260	AIR PRESS.SWITCH 604.91 0,5-5MB+RAST	13020502		•	•																
<b>1500</b>	<b>ELECTRIC PART</b>																				
1501	CONTROL UNIT TCG 141.02noTC	65300838		•	•																
1502	FAULT RELEASE BUTTON CABLE	65300521		•	•																
1503	CABLE+CONNECTOR/MOTOR	13010519		•	•																
1504	CABLE+CONNECTOR/IGNITER	13010535		•	•																
1508	CABLE+CONNECT./IRD DETECT.-LG400	65300210		•	•																
1510	CONTROL UNIT BRACKET+DISPLAY	65300727		•	•																
1530	RELEASE BUTTON	13015182		•	•																
1535	INTERFACE/RELEASE KNOB	65300870		•	•																
1540	WIELAND PLUG 7P.	13010523		•	•																
1800	VALVE HARNESS (VGL2-NC12/21B)	65300868		•	•																
1805	PRESS.SWITCH HARNESS (VGL2-NC12/21B)	65300869		•	•																
1810	OIL VALVES HARNESS (VGL2-NC12/21B)	65300209		•	•																
1820	OPERATING SWITCH 3 POS	13009683		•	•																

