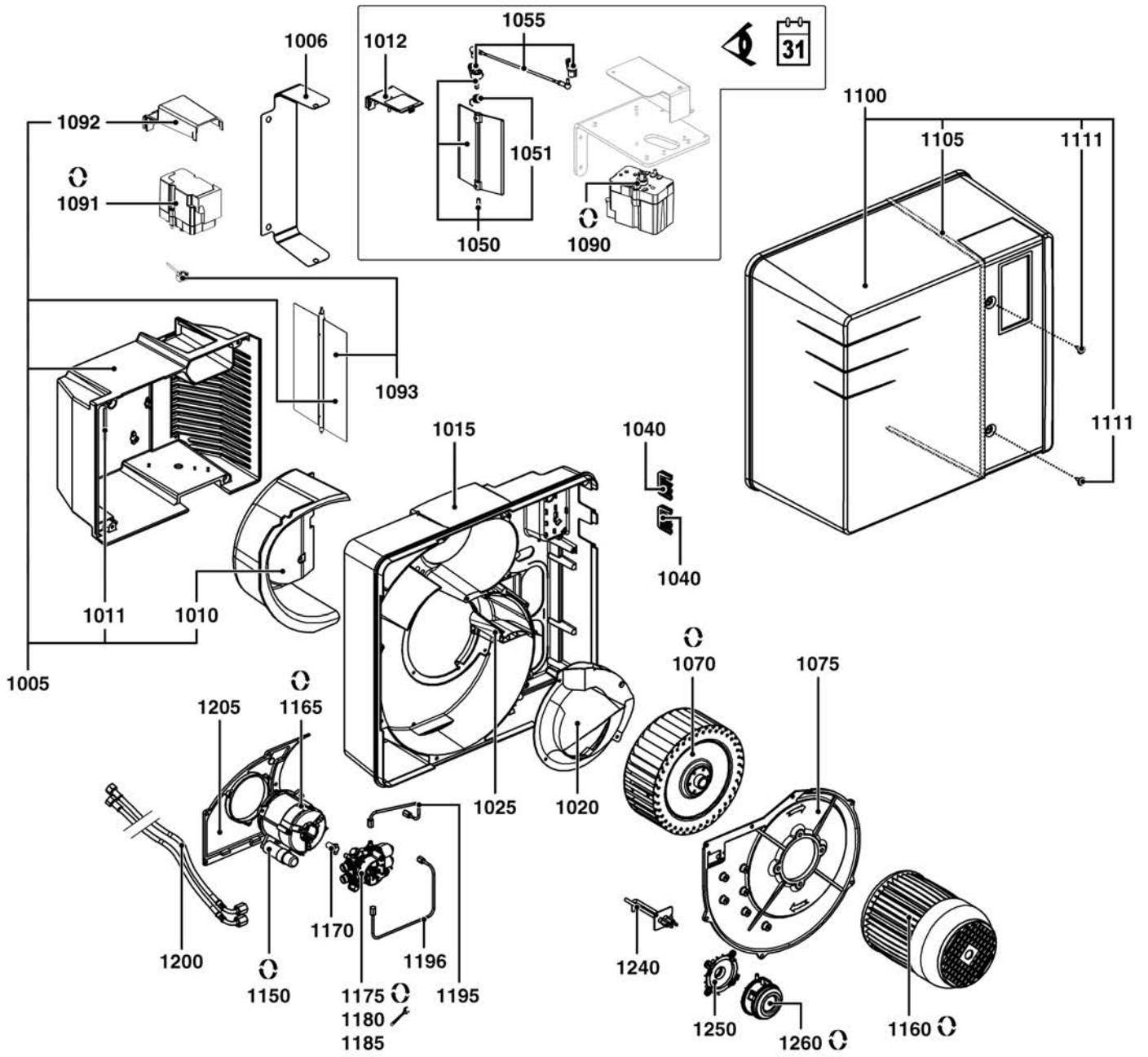
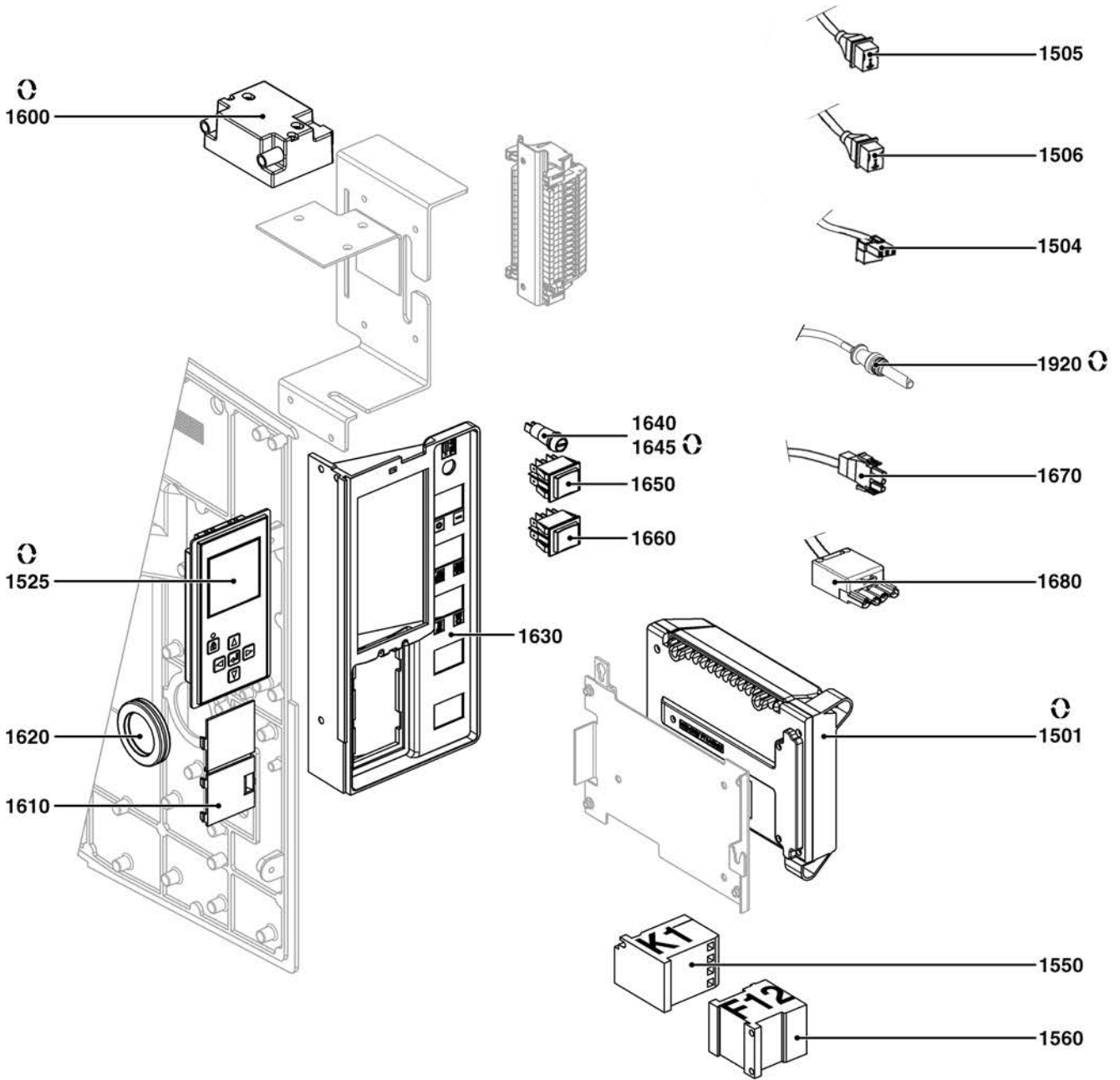


SPARE PARTS EXPLODED VIEW OIL BURNER Model **CB-VL5D**

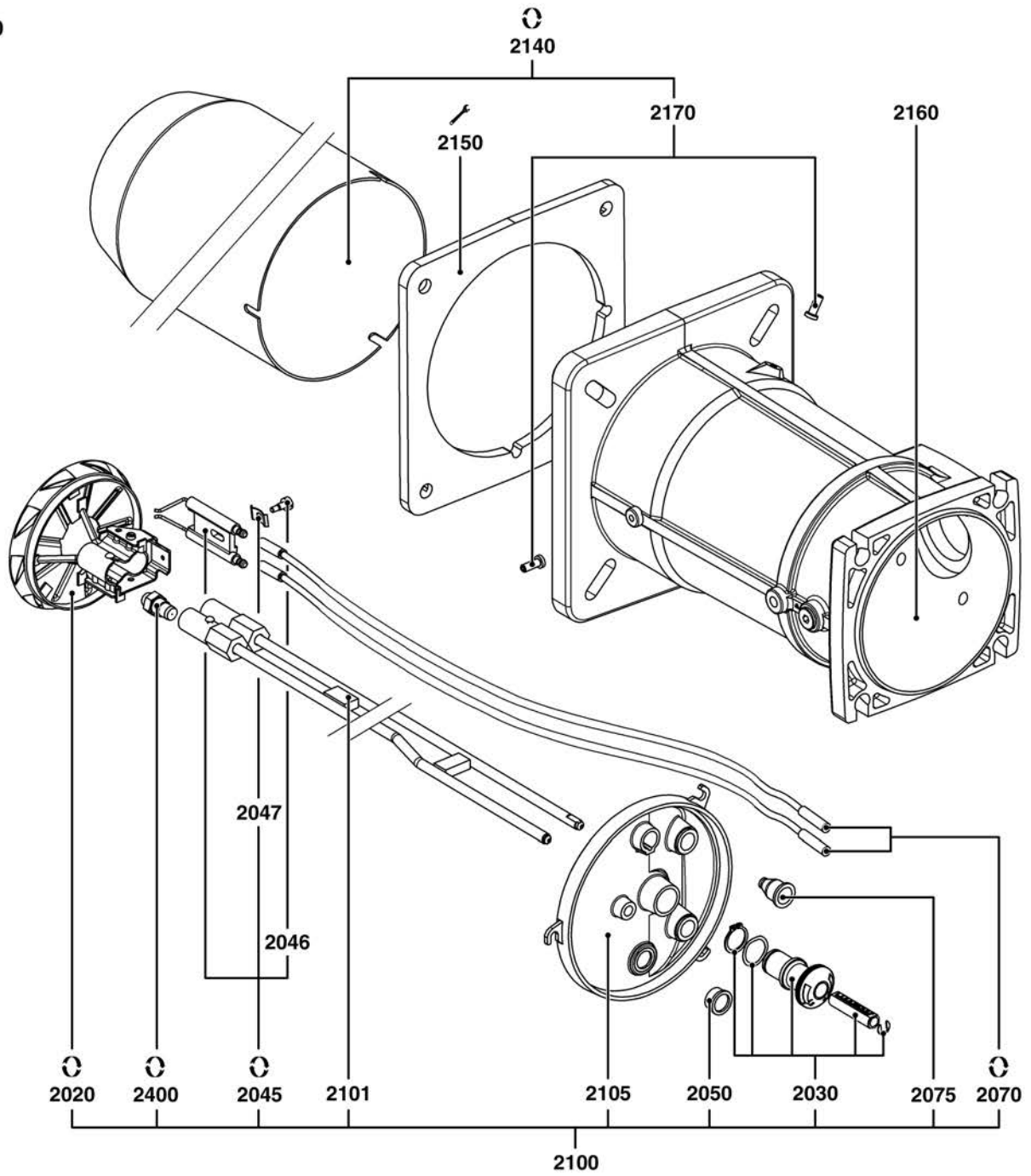
R8220110-03 - 13/11/2019

| 1 | 3833505 | BB-VL5.950 D | 09-2011 | - |
|-----|-----------|----------------|---------|-----|
| 2 | 3833506 | BB-VL5.1200 D | 09-2011 | - |
| 3 | 3833362 | CH-O0621-T1/KN | 12-2010 | - |
| 4 | 3833457 | CH-O0621-T2/KL | 12-2010 | - |
| 5 | 3833607 | CH-O0621-T3/KM | 09-2011 | - |
| 6 | 3833363 | CH-O0622-T1/KN | 12-2010 | - |
| 7 | 3833458 | CH-O0622-T2/KL | 12-2010 | - |
| 8 | 3833608 | CH-O0622-T3/KM | 01-2012 | - |
| Col | Reference | Model type | Begin | End |





2000



5000



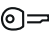


Oil burner
CB-VL5D

| Description | Manf. Pt. N | Type | | | | | | | | | | | | | | | | | | |
|---|-------------|------|---|---|---|---|---|---|---|---|---|----|----|----|----|----|----|----|----|----|
| | | | 1 | 2 | 3 | 4 | 5 | 6 | 7 | 8 | 9 | 10 | 11 | 12 | 13 | 14 | 15 | 16 | 17 | 18 |
| 2000 COMBUSTION HEAD | | | | | | | | | | | | | | | | | | | | |
| 2020 BAFFLE PLATE D114/60 6SL R | 13017115 | | | | | | | | | | | | | | | | | | | |
| BAFFLE PLATE D125/40 9SL R | 13011594 | | | | | | | | | | | | | | | | | | | |
| 2030 BUTTON D35/20X60+VERNIER D12/8X48+CLIPS | 13007852 | | | | | | | | | | | | | | | | | | | |
| 2045 ELECTROD.BLOC.25X48 D4D1,5X22 45° +SCREW | 13007907 | | | | | | | | | | | | | | | | | | | |
| ELECTROD.BLOC.27X55 d6,4 D2X23 45°+SCREW | 13009726 | | | | | | | | | | | | | | | | | | | |
| 2046 WASHER HEAD SCREW M4/ELECTRODES BLOCK | 13010049 | | | | | | | | | | | | | | | | | | | |
| 2047 FLANGE 20X11X2,6 FIX. ELECTRODE | 13009725 | | | | | | | | | | | | | | | | | | | |
| 2050 SIGHT GLASS D20/18X10 | 13020327 | | | | | | | | | | | | | | | | | | | |
| 2070 IGNITION CABLE D4/D6,35 L1050X2 | 65301044 | | | | | | | | | | | | | | | | | | | |
| IGNITION CABLE D4/D6,35 L850X2 | 13010059 | | | | | | | | | | | | | | | | | | | |
| 2075 RUBBER CAP D14/6X26//IGNITION CABLE | 13009625 | | | | | | | | | | | | | | | | | | | |
| 2100 COMB.HEAD OIL L711 D114+NOZ.8,50+7,50GPH | 65301041 | | | | | | | | | | | | | | | | | | | |
| COMB.HEAD OIL L711 D125+NOZ.6,50+7,50GPH | 65301038 | | | | | | | | | | | | | | | | | | | |
| COMB.HEAD OIL L821 D114+NOZ.8,50+7,50GPH | 65301043 | | | | | | | | | | | | | | | | | | | |
| COMB.HEAD OIL L821 D125+NOZ.6,50+7,50GPH | 65301040 | | | | | | | | | | | | | | | | | | | |
| COMB.HEAD OIL L931 D114+NOZ.8,50+7,50GPH | 65301042 | | | | | | | | | | | | | | | | | | | |
| COMB.HEAD OIL L931 D125/40-9SL.CPL. | 65301039 | | | | | | | | | | | | | | | | | | | |
| 2101 NOZZLE ROD D8 L711 M8 2 TUBES DIST.33 | 13011595 | | | | | | | | | | | | | | | | | | | |
| NOZZLE ROD D8 L821 M8 2 TUBES DIST.33 | 13011597 | | | | | | | | | | | | | | | | | | | |
| NOZZLE ROD D8 L931 M8 2 TUBES DIST.33 | 13011596 | | | | | | | | | | | | | | | | | | | |
| 2105 OIL COVER D168X39/C70-100-NC95-120 H/VL5 | 65326167 | | | | | | | | | | | | | | | | | | | |
| 2140 FLAME TUBE D170/141/125 L305 | 13011601 | | | | | | | | | | | | | | | | | | | |
| FLAME TUBE D170/141/125 L415 | 13011603 | | | | | | | | | | | | | | | | | | | |
| FLAME TUBE D170/141/125 L525 | 13011602 | | | | | | | | | | | | | | | | | | | |
| FLAME TUBE D170/155 L305 | 65301045 | | | | | | | | | | | | | | | | | | | |
| FLAME TUBE D170/155 L415 | 65301047 | | | | | | | | | | | | | | | | | | | |
| FLAME TUBE D170/155 L525 | 65301046 | | | | | | | | | | | | | | | | | | | |
| 2150 GASKET/BURNER FLANGE 228X220X10 D180 | 13009619 | | | | | | | | | | | | | | | | | | | |
| 2160 FLANGE FIX. HEAD D171 L321/VL5-NC95/120H | 65326207 | | | | | | | | | | | | | | | | | | | |
| 2170 SCREWS M6 FIX FLAME TUBE (3 PIECES) | 13007804 | | | | | | | | | | | | | | | | | | | |
| 2400 NOZZLE DAN 6,50 GPH 45° B | 13016045 | | | | | | | | | | | | | | | | | | | |
| NOZZLE DAN 7,50 GPH 45° B | 13016047 | | | | | | | | | | | | | | | | | | | |
| NOZZLE DAN 8,50 GPH 45° B | 13016048 | | | | | | | | | | | | | | | | | | | |
| 5000 ACCESSORIES | | | | | | | | | | | | | | | | | | | | |
| 5001 NOZZLE DAN 10,00 GPH 45° B | 13016039 | | | | | | | | | | | | | | | | | | | |
| NOZZLE DAN 10,00 GPH 60° B | 13016049 | | | | | | | | | | | | | | | | | | | |
| NOZZLE DAN 11,00 GPH 45° B | 13023430 | | | | | | | | | | | | | | | | | | | |
| NOZZLE DAN 11,00 GPH 60° B | 13016050 | | | | | | | | | | | | | | | | | | | |
| NOZZLE DAN 12,00 GPH 60° B | 65300688 | | | | | | | | | | | | | | | | | | | |
| NOZZLE DAN 4,50 GPH 45° B | 13016042 | | | | | | | | | | | | | | | | | | | |
| NOZZLE DAN 4,50 GPH 60° B | 13016053 | | | | | | | | | | | | | | | | | | | |
| NOZZLE DAN 5,00 GPH 45° B | 13016044 | | | | | | | | | | | | | | | | | | | |
| NOZZLE DAN 5,00 GPH 60° B | 65300630 | | | | | | | | | | | | | | | | | | | |
| NOZZLE DAN 5,50 GPH 45° B | 13016043 | | | | | | | | | | | | | | | | | | | |
| NOZZLE DAN 5,50 GPH 60° B | 13016054 | | | | | | | | | | | | | | | | | | | |
| NOZZLE DAN 6,50 GPH 45° B | 13016045 | | | | | | | | | | | | | | | | | | | |
| NOZZLE DAN 6,50 GPH 60° B | 13016056 | | | | | | | | | | | | | | | | | | | |
| NOZZLE DAN 7,50 GPH 45° B | 13016047 | | | | | | | | | | | | | | | | | | | |
| NOZZLE DAN 7,50 GPH 60° B | 13016058 | | | | | | | | | | | | | | | | | | | |
| NOZZLE DAN 8,50 GPH 45° B | 13016048 | | | | | | | | | | | | | | | | | | | |
| NOZZLE DAN 8,50 GPH 60° B | 13016059 | | | | | | | | | | | | | | | | | | | |

CB-VL5D
Oil burner



| | | DE NL | FR ES | IT | X |
|------|----------|--|--|--|---|
| 1005 | 65326951 | LUFTKASTEN 318X414X167+MET.-LUFTKL.+DECK LUCHTKAST 318X414X167+METAL LUCHTKL.+DEK | BOITE AIR 318X414X167+VOL.AIR MET.+COUV. CAJA AIRE 318X414X167+VALV.AIR.MET.+TAPA | CASSA ARIA 318X414X167+SERR.AR.META.+COP | 1 |
| 1006 | 65326224 | ANSAUGLUFTBLECH LUCHTGELEIDER | GUIDE AIR GUIA DE AIRE | GUIDA ARIA | 1 |
| 1010 | 13009641 | ISOLIERUNG-LUFTKASTEN ISOLATIE LUCHTKAST | ISOLATION BOITE A AIR AISLAMIENTO CAJA DE AIRE | ISOLAMENTO SCATOLA DELL'ARIA | 1 |
| 1011 | 13009640 | DICHTUNG/LUFTKASTE 109X6X7 PROFIL PAKKING/LUCHTKAST 109X6X7 GEPROFILEERD | JOINT/BOITE A AIR 109X6X7 PROFILE JUNTA/CAJA DE AIRE 109X6X7 PERFILADA | GUARNIZIONE/CASSA ARIA 109X6X7 PROFILATO | 1 |
| 1012 | 13009642 | DECKEL 80X143X47/LUFTANSAUGKASTEN DEKSEL 80X143X47/LUCHTKAST | COUVERCLE 80X143X47/BOITE AIR TAPA 80X143X47/CAJA AIRE | COPERCHIO 80X143X47/CASSA ARIA | 1 |
| 1015 | 65326271 | GEHÄUSE 565X522X133 D156 NC95-120/V5 BRANDERHUIS 565X522X133 D156 NC95-120/V5 | CARTER 565X522X133 D156 NC95-120/V5 CARTER 565X522X133 D156 NC95-120/V5 | FUSIONE 565X522X133 D156 NC95-120/V5 | 1 |
| 1020 | 13009645 | ANSAUGLUFTFÜHR.R176/87+FLÜ.H132 SCHWARZ LUCHTGELEID.R176/87+SPOILER H132 ZWART | RECYCL.AIR R176/87+AILETTE H132 NOIR RECICL.AIRE R176/87+ALERON H132 NEGRO | CONVOGL.ARIA R176/87+SURP.H132 NERO | 1 |
| | 13009646 | ANSAUGLUFTFÜH.R176/87+FLÜGEL H106 WEISS LUCHTGELEIDING R176/87+SPOILER H106 WIT | RECYCL.AIR R176/87+AILETTE H106 BLANC RECICL.AIRE R176/87+SPOILER H106 BLANCO | CONVOGL.ARIA R176/87+SURP.H106 BIANCO | 1 |
| 1025 | 65301017 | ANSAUGLUFTFÜHR.135X115X40 R16/VG5-NC120 LUCHTGELEIDING 135X115X40 R16/VG5-NC120 | RECYCLAGE AIR 135X115X40 R16/VG5-NC120 RECICLAJE AIRE 135X115X40 R16/VG5-NC120 | CONVOGL.ARIA 135X115X40 R16/VG5-NC120 | 1 |
| 1040 | 13016845 | KABELDURCHFÜHRUNG / GEHÄUSE KABELDOORVOERING | PASSE FIL/CARTER PASACABLES/CÁRTER | PASSAFILO/ CARTER | 1 |
| 1050 | 13014117 | LUFTKLAPPE 232X154+FEDER+HEBEL LUCHTKLEP 232X154+VEER+EFBOOM | VOLET AIR 232X154+RESSORT+LEVIER VALVULA AIRE 232X154+MUJLE+PALANCA | SERRANDA ARIA 232X154+MOLLA+LEVA | 1 |
| 1051 | 13011751 | FEDER GRAU/LUFTKLAPPE/VERPACKT VEER/LUCHTKLEP GRIJS | RESSORT SPIRALE GRIS/VOLET AIR MUELLE/VALVULA DE AIRE GRIS | MOLLA/SERRANDA ARIA GRIGIA | 1 |
| 1055 | 65301071 | UEBERTRAG.+WINKELGELL.L320/STE 4,5 B0 COMPLETE KOPPELING L320/STE 4,5 B0 | ACCOUPLLEMENT EQ.L320/STE 4,5 B0 ACOPLAMIENTO EQ. L320/STE 4,5 B0 | ACCOPIAMENTO EQ. L320/STE 4,5 B0 | 1 |
| 1070 | 13009649 | VENTILATORRAD D240X82 D19 VENTILATORWIEL D240X82 D19 | TURBINE D240X82 D19 TURBINA D240X82 D19 | VENTOLA D240X82 D19 | 1 |
| 1075 | 13018809 | MOTORPLATTE VENTILATORRAD/V5-6/NC95-210 MOTOR MONTAGEPL. VENTILAT./V5-6/NC95-210 | FLASQUE SUPP. MOTEUR TURB./V5-6/NC95-210 PLACA MONTAJE MOTOR TURB./V5-6/NC95-210 | PIASTR.MONT.MOTORE VENTOLA/V5-6/NC95-210 | 1 |
| 1090 | 65300527 | STELLANTR. STE4,5 B0.37/6-R M.KABEL L600 REGELMOTOR STE 4,5 B0.37/6-R +KABEL L600 | SERVOMOTEUR STE4,5 B0.37/6-R +CABLE L600 SERVOMOTOR STE 4,5 B037/6 R+CABLE L600 | SERVOMOTORE STE 4,5 B0.37/6-R +CAVO L600 | 1 |
| 1091 | 65326229 | STELLANTRIEB STE4,5 B0.37/6-L+KABEL L900 SERVOMOTOR STE 4,5 B0.37/6-L+KABEL L900 | SERVOMOTEUR STE 4,5 B0.37/6-L+CABLE L900 SERVOMOTOR STE 4,5 B0.37/6-L+CABLE L900 | SERVOMOTORE STE 4,5 B0.37/6-L+CAVO L900 | 1 |
| 1092 | 65326223 | DECKEL 169X93X67/STELLANTRIEB DEKSEL 169X93X67/REGELMOTOR | COUVERCLE 169X93X67/SERVOMOTEUR TAPA 169X93X67/SERVOMOTOR | COPERCHIO 169X93X67/SERVOMOTORE | 1 |
| 1093 | 65326225 | LUFTKLAPPE 234/228X154 + INDIKATOR LUCHTKLEP 234/228X154 + INDICATOR | VOLET AIR 234/228X154 + INDICATEUR VALVULA AIRE 234/228X154 + INDICADOR | SERRANDA ARIA 234/228X154 + INDICATORE | 1 |
| 1100 | 65301016 | BRENNERHAUBE GRAU 590X547X476/V 5-6 BRANDERKAP GRAU 590X547X476+SCHROEF/V5-6 | CAPOT GRIS 590X547X476+VIS/V 5-6 CUBIERTA GRIS 590X547X476+TORNILLO/V 5-6 | COFANO GRIGIO 590X547X476+VITE/V 5-6 | 1 |
| 1105 | 13009772 | DICHTUNG/HAUBE 10X3 L1000 PAKKING/BRANDERKAP 10X3 L1000 | JOINT/CAPOT 10X3 L1000 JUNTA/CUBIERTA 10X3 L1000 | GUARNIZIONE/COFANO 10X3 L1000 | 1 |
| 1111 | 65300519 | FLACHKOPF-SCHRAUBE M5X15+SPITZE PLATKOPPSCHROEF M5X15 | VIS A TETE PLATE M5X15 TORNILLO DE CABEZA PLANA M5X15 | VITE A TESTA PIANA M5X15 | 1 |
| 1150 | 13010016 | KONDENSATOR 6,3µF 2P 3mm CONDENSATOR 6,3µF 2P 3mm | CONDENSATEUR 6,3µF 2P 3mm CONDENSADOR 6,3µF 2P 3mm | CONDENSATORE 6,3µF 2P 3mm | 1 |
| | 13011117 | KONDENSATOR 4µF 2P 3mm CONDENSATOR 4µF 2P 3mm | CONDENSATEUR 4µF 2P 3mm CONDENSADOR 4µF 2P 3mm | CONDENSATORE 4µF 2P 3mm | 1 |
| 1160 | 13009654 | MOTOR 1,5KW 230/400V D19+STECKER MOTEUR 1,5KW 230/400V D19+STECKER | MOTEUR 1,5KW 230/400V D19+PRISE MOTOR 1,5KW 230/400V D19+TOMA | MOTORE 1,5KW 230/400V D19+PRESA | 1 |
| 1165 | 13011607 | MOTOR 0,16KW 230V GMP MOTOR 0,16KW 230V GMP | MOTEUR 0,16KW 230V GMP MOTOR 0,16KW 230V GMP | MOTORE 0,16KW 230V GMP | 1 |
| 1170 | 65074172 | KUPPLUNG D18/14,7/11X22 PUMPE/MOTOR KOPPELING D18/14,7/11X22 POMP/MOTOR | ACCOUPLLEMENT D18/14,7/11X22 POMPE/MOTEUR ACOPLAMIENTO D18/14,7/11X22 BOMBA/MOTOR | GIUNTO D18/14,7/11X22 POMPA/MOTORE | 1 |
| 1175 | 13011006 | OELPUMPE A2L 95 D 9702 POMP A2L 95 D 9702 | POMPE FIOUL A2L 95 D 9702 BOMBA A2L 95 D 9702 | POMPA A2L 95 D 9702 | 1 |
| 1180 | 13011007 | OELFILTER H20-150µ /PUMPE AT2-A2L OLIEFILTER H20-150µ /POMP AT2-A2L | FILTRE FIOUL H20-150µ /POMPE AT2-A2L FILTRO OIL H20-150µ /BOMBA AT2-A2L | FILTRO OLIO H20-150µ /POMPA AT2-A2L | 1 |
| 1185 | 13010006 | SPULE SUN PUMPE AS-AP-AL-AT-A2L SPOEL SUN POMP AS-AP-AL-AT-A2L | BOBINE SUN PUMP AS-AP-AL-AT-A2L BOBINA SUN BOMBA AS-AP-AL-AT-A2L | BOBINA SUN POMPA AS-AP-AL-AT-A2L | 1 |
| 1195 | 13000969 | ROHR PUMPE/DUESENGESTAENGE POMPBUIS/SPROEIERLIJN | TUBES POMPE/LIGNE GICLEUR TUBOS BOMBA/PORTA-BOQUILLA | TUBI POMPA/LINEA P. UGELLO | 1 |
| 1196 | 13018327 | CU-ROHR PUMPE-DG 2STUFE/VERPACKT POMPBUIS/SPROEIERLIJN 2 TRAP | TUBE POMPE/LIGNE GICLEUR 2 ALL. TUBO BOMBA/PORTA-BOQUILLA 2ª ETAPA | TUBO POMPA/LINEA P. UGELLO 2 ST. | 1 |
| 1200 | 13009815 | ÖLSCHLAUCH DN8 G1/2M M16X38 90° L1500 OLIESLANG DN8 G1/2M M16X38 90° L1500 | FLEXIBLE DN8 G1/2M M16X38 90° L1500 LATIGUILLO DN8 G1/2M M16X38 90° L1500 | FLESSIBILE DN8 G1/2M M16X38 90° L1500 | 1 |
| 1205 | 65301276 | GERÄTEPLATTE MOTOR/PUMPE 275X200 D115 MOTORPLAAT/POMP 275X200 D115 | PLATINE MOTOPOMPE 275X200 D115 PLACA MOTOR/BOMBA 275X200 D115 | PIASTRA MOTORE/POMPA 275X200 D115 | 1 |
| 1240 | 13009651 | LUFTDRUCKNIPPEL DIF.DURCHFLUSS-DÜSE D0,7 LUCHTRUKAANSLUITING DIF.MONDS.D0,7 L107 | PRISE PRESSION AIR DIF.AJUTAGE D0,7 L107 TOMA PRESION AIRE DIFF. TOBERA D0,7 L107 | PRESA PRESSIONE ARIA DIF.BOCCH.D0,7 L107 | 1 |
| 1250 | 13020723 | HALTER D32 LUFTDRUCKWAECHTER HUB LUCHTRUKSCHAKELAAR STEUN D32 | SUPPORT MANOSTAT AIR D32 SOPORTE DEL MANOSTATO DE AIRE D32 | SUPPORTO PRESSOSTATO DELL'ARIA D32 | 1 |

| | | DE | FR | IT | X |
|------|----------|--|--|--|---|
| | | NL | ES | | |
| 1260 | 65300991 | LUFTDRUCKWAECHTER HUBA 604 1-10MBAR LUCHTDRUKBEWAKER HUBA 604 1-10MBAR | MANOSTAT HUBA 604 1-10MBAR PRESSOSTATO AIRE HUBA 604 1-10MBAR | MANOSTATO HUBA 604 1-10MBAR | 1 |
| | 65301048 | LUFTDRUCKWAECHTER HUBA 604 5-20MBAR LUCHTDRUKBEWAKER HUBA 604 5-20MBAR | MANOSTAT HUBA 604 5-20MBAR PRESSOSTATO AIRE HUBA 604 5-20MBAR | MANOSTATO ARIA HUBA 604 5-20MBAR | 1 |
| 1501 | 65300878 | FEUERUNGSAUTOMAT TCH 211.00 BRANDERAUTOMAAT TCH 211.00 | COFFRET TCH 211.00 PROGRAMADOR TCH 211.00 | APPARECCHIATURA TCH 211.00 | 1 |
| 1504 | 65300997 | KABEL ZÜNDTRAF0+STCK 3P/RAST3P L740 ONTSTEKINGSTRAFOKABEL+STCK3P/RAST3P L740 | CABLE ALLUMEUR+PRISE 3P/RAST3P L740 CABLE ENCENDEADOR+TOMA 3P/RAST3P L740 | CAVO TRASFO ACCENS.+PRESA 3P/RAST3P L740 | 1 |
| 1505 | 65301049 | KABEL ÖLVENTIL+STCK 3P/RAST3P L1000V1 KABEL MAGNEETKLEP+STCK3P/RAST3P L1000V1 | CABLE EL.VANNE+PRISE 3P/RAST3P L1000V1 CABLE EL.VALVULA+TOMA 3P/RAST3P L1000V1 | CAVO EL.VALVOLA+PRESA 3P/RAST3P L1000V1 | 1 |
| 1506 | 65301050 | KABEL ÖLVENTIL+STCK 3P/RAST3P L1000V2 KABEL MAGNEETKLEP+STCK3P/RAST3P L1000V2 | CABLE EL.VANNE+PRISE 3P/RAST3P L1000V2 CABLE EL.VALVULA+TOMA 3P/RAST3P L1000V2 | CAVO EL.VALVOLA+PRESA 3P/RAST3P L1000V2 | 1 |
| 1525 | 65301109 | ANZEIGE/FEUERUNGSAU.TCG.TCH R.2.2 + KABEL AANWIJS EN BEDIENEENHEID TCG/TCH R.2.2 | AFFICHEUR/COFFRET TCG.TCH REL. 2.2 PANTALLA P. PROGRAMADOR TCG.TCH REL.2.2 | DISPLAY PER APPARECCHIA.TCG.TCH REL.2.2 | 1 |
| 1550 | 13009778 | SCHALTSCHUETZE SCH T.LC1-K0910M7 CONTACTOR SCH T.LC1-K0910M7 | CONTACTEUR SCH T.LC1-K0910M7 CONTACTOR SCH T.LC1-K0910M7 | CONTATTORE SCH T.LC1-K0910M7 | 1 |
| 1560 | 13020693 | THERM.RELAIS SCH LR2K 3,7-5,5A THERM.RELAIS SCH LR2K 3,7-5,5A | RELAIS THERM. SCH LR2K 3,7-5,5A RELE TERM. SCH LR2K 3,7-5,5A | RELE TERM. SCH LR2K 3,7-5,5A | 1 |
| 1600 | 13009663 | ZUENDTRAF0 EBI 2X7,5 230V ONTSTEKINGSTRAFO EBI 2X7,5 230V | ALLUMEUR EBI 2X7,5 230V ENCENDEADOR EBI 2X7,5 230V | TRASFO. ACC. EBI 2X7,5 230V+PRESA TERRA | 1 |
| 1610 | 13009661 | ABDECKUNG/SCHNITTSTELLE AFSLUITER / BEDIENINGSPANEEL | OBTURATEUR / PUPITRE OBTURADOR / TABLERO | OTTURATORE / QUADRO | 1 |
| 1620 | 65300993 | KABELTUELLE DRAADDOORVOER D54/D47/D36 | PASSE FIL D54/D47/D36 PASACABLE D54/D47/D36 | PASSA FILO D54/D47/D36 | 1 |
| 1630 | 65300992 | ZENTRALSCHALTPULT BEDIENINGSPANEL | TABLEAU DE COMMANDE PANEL DE CONTROL | PANNELLO DI CONTROLLO | 1 |
| 1640 | 13016457 | SICHERUNGSHALTER+ SICHERUNG 6,3A ZEKERINGHOUDER+ZEKERING 6,3A | PORTE FUSIBLE+FUSIBLE 6.3A PORTA FUSIBLE+FUSIBLE 6.3A | PORTAFUSIBILE + FUSIBILE 6.3A | 1 |
| 1645 | 13016028 | FEINSICHERUNG 5X20 FST 6,3A 250V ZEKERING 5X20 FST 6,3A 250V | FUSIBLE 5X20 FST 6,3A 250V FUSIBLE 5X20 FST 6,3A 250V | FUSIBILE 5X20 FST 6,3A 250V | 1 |
| 1650 | 13010007 | LEUCHTSCHALTER EIN/AUS SCHAKELAAR AAN-UIT | INTERRUPTEUR MARCHE/ARRET INTERRUPTOR ON/OFF | INTERUTTORE ON/OFF | 1 |
| 1660 | 13014009 | BETRIEBSSCHALTER SCHAKELAAR - BEDRIJF | INTERRUPTEUR - FONCTIONNEMENT INTERRUPTOR - FUNCIONAMIENTO | INTERRUTTORE - FUNZIONAMENTO | 1 |
| 1670 | 65300999 | KABEL GMP+STCK 3P/RAST3P L920 KABEL GMP+STCK3P/RAST3P L920 | CABLE GMP+PRISE 3P/RAST3P L920 CABLE GMP+TOMA 3P/RAST3P L920 | CAVO GMP+PRESA 3P/RAST3P L920 | 1 |
| 1680 | 65301000 | KABEL MOTOR+STECGER WIE. 4P 4X1,5 L560 KABEL MOTOR+STCKWIE. 4P 4X1,5 L560 | CABLE MOTEUR+PRISE WIE. 4P 4X1,5 L560 CABLE MOTOR+TOMA WIE. 4P 4X1,5 L560 | CAVO MOTORE+PRESA WIE. 4P 4X1,5 L560 | 1 |
| 1920 | 65326516 | FOTOZELLE QRB1A LG.570+RAST5 FOTOCEL QRB1A LG.570+RAST5 | CELLULE QRB1A LG.570+RAST5 CELULA QRB1A LG.570+RAST5 | FOTOCELLULA QRB 1A LG.570+RAST5 | 1 |
| | 65328029 | FOTOZELLE FTEB 3 F L610 RAST5 FOTOCEL FTEB 3 F L610 RAST5 | CELLULE FTEB 3 F L610 RAST5 CELULA FTEB 3 F L610 RAST5 | FOTOCELLULA FTEB 3 F L610 RAST5 | 1 |
| 2020 | 13011594 | STAUSCHEIBE D125/40 9SL R STUWPLAAT D125/40 9SL R | DEFLECTEUR D125/40 9SL R DEFLECTOR D125/40 9SL R | DIFFUSORE D125/40 9SL R | 1 |
| | 13017115 | STAUSCHEIBE D114/60 6SL R STUWPLAAT D114/60 6SL R | DEFLECTEUR D114/60 6SL R DEFLECTOR D114/60 6SL R | DIFFUSORE D114/60 6SL R | 1 |
| 2030 | 13007852 | KNOPF D35/20X60 M8+NONIUS D12/8X48+CLIPS KNOP D35/20X60 M8+NONIUS D12/8X48+CLIPS | BOUTON D35/20X60+VERNIER D12/8X48+CLIPS BOTON D35/20X60 M8+VERN. D12/8X48+CLIPS | BOTTONE D35/20X60 M8+VERN.D12/8X48+CLIPS | 1 |
| 2045 | 13007907 | ZUENDELEKT.BLOCK 25X48d4D1,5X22 45°+SCHR ELECTRODEBLOK 25X48d4D1,5X22 45°+SCHR0EF | BLOC-ELECTRODES 25X48 d4 D1,5X22 45°+VIS BLOQUE ELECT.25X48 d4D1,5X22 45°+TORNIL. | BLOCCO ELETTR0D.25X48d4D1,5X22 45° +VITE | 1 |
| | 13009726 | ZUENDELEKTROD.27X55 d6,4D2X23 45° +SCHR. ELEKTRODEBLOK 27X55 d6,4 D2X23 45°+SCHR. | BLOC-ELECTRODES 27X55 d6,4D2X23 45° +VIS BLOQ.ELECTRO.27X55 d6,4D2X23 45°+TORNIL. | BLOC.ELETTRODI 27X55 d6,4D2X23 45° +VITE | 1 |
| 2046 | 13010049 | SCHRAUBE M4-SPEZIAL SCHROEF M4 SPEC. KLEMVEER ELECTR. | VIS EPAULEE M4/BLOC-ELECTRODES TORN.ALLEN M4/BLOQUE-ELECTRODOS | VITE CON SPALLAMENTO M4/BLOCCO ELETTR0DI | 1 |
| 2047 | 13009725 | FLANSCH 20X11X2,6 FIX. ZUENDELEKTRODE KLEMVEER 20X11X2,6 ELEKTRODEBLOK | BRIDE 20X11X2,6 FIX. ELECTRODE BRIDA 20X11X2,6 FIX. ELECTRODO | FLANGIA 20X11X2,6 FIX. ELETTR0DO | 1 |
| 2050 | 13020327 | SCHAUGLASS D20/18X10 KIJKGLASS D20/18X10 | VOYANT DE FLAMME D20/18X10 VISORE DE LLAMA D20/18X10 | VISORE DI FIAMMA D20/18X10 | 1 |
| 2070 | 13010059 | ZÜNDKABEL D4/D6,35 L850X2 ONTST.KAB.SET VG/LD/MT KN L =850 | CABLE ALLUMAGE D4/D6,35 L850X2 CABLE ENCENDIDO D4/D6,35 L850X2 | CAVO ACCENSIONE D4/D6,35 L850X2 | 1 |
| | 65301044 | ZÜNDKABEL D4/D6,35 L1050X2 ONTSTEKINGSKABEL D4/D6,35 L1050X2 | CABLE ALLUMAGE D4/D6,35 L1050X2 CABLE ENCENDIDO D4/D6,35 L1050X2 | CAVO ACCENSIONE D4/D6,35 L1050X2 | 1 |
| 2075 | 13009625 | GUMMIKAPPE D14/6X26//IONIS.-ZUENDKABEL RUBBEREN KAP D14/6X26/ONTSTEKINGSKABEL | CAPUCHON CAOUTCHOU D14/6X26/CABLE ALLUM CAPUCHÓN CAUCHO D14/6X26/CABLE ENCENDIDO | CAPPUCCIO GOMMA D14/6X26/CAVO ACCENSIONE | 1 |
| 2100 | 65301038 | BRENNKOPF ÖL L711 D125+DÜSE 6,5+7,5GPH VLAMKOP OLIE L711 D125+SPR.6,50+7,50GPH | TETE COMB.FIOUL L711 D125+GIC.6,5+7,5GPH CABEZA COMB.OLEO L711 D125+BOQ.6,5+7,5GP | GR.TESTA OLIO L711 D125+UG.6,50+7,50GPH | 1 |
| | 65301039 | BRENNKOPF OIL L931 D125/40-9SL.BG. VLAMKOP OLIE L931 D125/40-9SL.BG. | TETE COMB.FIOUL L931 D125/40-9SL.CPL. CABEZA COMB.OLEO L931 D125/40-9SL.CPL. | GRUPPO TESTA OLIO L931 D125/40-9SL.CPL. | 1 |
| | 65301040 | BRENNKOPF ÖL L821 D125+DÜSE 6,50+7,50GPH VLAMKOP OLIE L821 D125+SPR.6,50+7,50GPH | TETE COMB.FIOUL L821 D125+GIC.6,5+7,5GPH CABEZA COMB.OLEO L821 D125+BOQ.6,5+7,5GP | GR.TESTA OLIO L821 D125+UG.6,50+7,50GPH | 1 |
| | 65301041 | BRENNKOPF ÖL L711 D114+DÜS.8,5+7,5GPH VLAMKOP OLIE L711 D114+SPR.8,50+7,50GPH | TETE COMB.FIOUL L711 D114+GIC.8,5+7,5GPH CABEZA COMB.OLEO L711 D114+BOQ.8,5+7,5GP | GR.TESTA OLIO L711 D114+UG.8,50+7,50GPH | 1 |

| |  |  | DE NL | FR ES | IT |  |
|------|---|---|---|--|--|---|
| | | 65301042 | BRENNKOPF ÖL L931 D114+DÜSE 8,50+7,50GPH VLAMKOP OLIE L931 D114+SPR.8,50+7,50GPH | TETE COMB.FIOUL L931 D114+GIC.8,5+7,5GPH CABEZA COMB.OLEO L931 D114+BOQ.8,5+7,5GP | GR.TESTA OLIO L931 D114+UG.8,5+7,5GPH | 1 |
| | | 65301043 | BRENNKOPF ÖL L821 D114+DÜS.8,50+7,50GPH VLAMKOP OLIE L821 D114+SPR.8,50+7,50GPH | TETE COMB.FIOUL L821 D114+GIC.8,5+7,5GPH CABEZA COMB.OLEO L821 D114+BOQ.8,5+7,5GP | GR.TESTA OLIO L821 D114+UG.8,50+7,50GPH | 1 |
| 2101 | | 13011595 | DÜSENSTANGE D8 L711 M8 2 ROHR DIST.33 SPROEIERLIJNE D8 L711 M8 BUIS DIST.33 | LIGNE GICLEUR D8 L711 M8 2 TUBES DIST.33 LÍNEA BOQUILLA D8 L711 M8 TUBO DIST.33 | LINEA UGELLO D8 L711 M8 TUBO DIST.33 | 1 |
| | | 13011596 | DÜSENSTANGE D8 L931 M8 2 ROHR DIST.33 SPROEIERLIJNE D8 L931 M8 BUIS DIST.33 | LIGNE GICLEUR D8 L931 M8 2 TUBES DIST.33 LÍNEA BOQUILLA D8 L931 M8 TUBO DIST.33 | LINEA UGELLO D8 L931 M8 TUBO DIST.33 | 1 |
| | | 13011597 | DÜSENSTANGE D8 L821 M8 2 ROHR DIST.33 SPROEIERLIJNE D8 L821 M8 BUIS DIST.33 | LIGNE GICLEUR D8 L821 M8 2 TUBES DIST.33 LÍNEA BOQUILLA D8 L821 M8 TUBO DIST.33 | LINEA UGELLO D8 L821 M8 TUBO DIST.33 | 1 |
| 2105 | | 65326167 | ÖLDECKEL D168X39/C70-100-NC95-120H/VL5 OLIE DEKSEL D168X39/C70-100-NC120H/VL5 | COUVERCLE FIOUL D168X39/C70-NC120 H/VL5 TAPA GASOLEO D168X39/C70-100-NC120H/VL5 | COPERCHIO GASOLIO D168X39/C70-NC120H/VL5 | 1 |
| 2140 | | 13011601 | BRENNERROHR D170/141/125 L305 BRANDERBUIS D170/141/125 L305 | TUBE DE FLAMME D170/141/125 L305 TUBO DE LLAMA D170/141/125 L305 | BOCCAGLIO D170/141/125 L305 | 1 |
| | | 13011602 | BRENNERROHR D170/141/125 L525 BRANDERBUIS D170/141/125 L525 | TUBE DE FLAMME D170/141/125 L525 TUBO DE LLAMA D170/141/125 L525 | BOCCAGLIO D170/141/125 L525 | 1 |
| | | 13011603 | BRENNERROHR D170/141/125 L415 BRANDERBUIS D170/141/125 L415 | TUBE DE FLAMME D170/141/125 L415 TUBO DE LLAMA D170/141/125 L415 | BOCCAGLIO D170/141/125 L415 | 1 |
| | | 65301045 | BRENNERROHR D170/155 L305 BRANDERBUIS D170/155 L305 | TUBE DE FLAMME D170/155 L305 TUBO DE LLAMA D170/155 L305 | BOCCAGLIO D170/155 L305 | 1 |
| | | 65301046 | BRENNERROHR D170/155 L525 BRANDERBUIS D170/155 L525 | TUBE DE FLAMME D170/155 L525 TUBO DE LLAMA D170/155 L525 | BOCCAGLIO D170/155 L525 | 1 |
| | | 65301047 | BRENNERROHR D170/155 L415 BRANDERBUIS D170/155 L415 | TUBE DE FLAMME D170/155 L415 TUBO DE LLAMA D170/155 L415 | BOCCAGLIO D170/155 L415 | 1 |
| 2150 | | 13009619 | DICHTUNG/BRENNERFLANSCH 228X220X10 D180 PAKKING/MONTAGELENS 228X220X10 D180 | JOINT/BRIDE BRULEUR 228X220X10 D180 JUNTA/BRIDA QUEMADOR 228X220X10 D180 | GUARNIZIONE/FLANGIA BRUC.228X220X10 D180 | 1 |
| 2160 | | 65326207 | BRENNKOPFFLANSCH D171 L321/VL5-NC95/120H BEVESTIGINGKOP D171 L321/VL5-NC95/120 H | BRIDE FIXA.TETE D171 L321/VL5-NC95/120H BRIDA FIJA.CABEZA D171 L321/VL5-NC95 H | FLANGIA FISSA.TESTA D171 L321/VL5-NC95 H | 1 |
| 2170 | | 13007804 | SCHRAUBEN-SET M6X1 LINKSGEWINDE/VPE 3STK M6-BEV.SCHROEF(LINKER)BRANDERBUIS(X3) | VIS M6 (PAS GAUCHE)FIX.TUBE FLAMME(3PCS) TORNILLOS M6 (R.IZQ.)FIJ.TUBO QUEMA.(X3) | VITE M6 (PASSO SX) FISS. BOCCAGLIO(3 PZ) | 1 |
| 2400 | | 13016045 | DUESE DAN 6,50 GPH 45° B NOZZLE DAN 6,50 GPH 45° B | GICLEUR DAN 6,50 GPH 45° B BOQUILLA DAN 6,50 GPH 45° B | UGELLO DAN 6,50 GPH 45° B | 1 |
| | | 13016047 | DUESE DAN 7,50 GPH 45° B NOZZLE DAN 7,50 GPH 45° B | GICLEUR DAN 7,50 GPH 45° B BOQUILLA DAN 7,50 GPH 45° B | UGELLO DAN 7,50 GPH 45° B | 1 |
| | | 13016048 | DUESE DAN 8,50 GPH 45° B NOZZLE DAN 8,50 GPH 45° B | GICLEUR DAN 8,50 GPH 45° B BOQUILLA DAN 8,50 GPH 45° B | UGELLO DAN 8,50 GPH 45° B | 1 |
| 5001 | | 13016039 | DUESE DAN 10,00 GPH 45° B NOZZLE DAN 10,00 GPH 45° B | GICLEUR DAN 10,00 GPH 45° B BOQUILLA DAN 10,00 GPH 45° B | UGELLO DAN 10,00 GPH 45° B | 1 |
| | | 13016042 | DUESE DAN 4,50 GPH 45° B NOZZLE DAN 4,50 GPH 45° B | GICLEUR DAN 4,50 GPH 45° B BOQUILLA DAN 4,50 GPH 45° B | UGELLO DAN 4,50 GPH 45° B | 1 |
| | | 13016043 | DUESE DAN 5,50 GPH 45° B NOZZLE DAN 5,50 GPH 45° B | GICLEUR DAN 5,50 GPH 45° B BOQUILLA DAN 5,50 GPH 45° B | UGELLO DAN 5,50 GPH 45° B | 1 |
| | | 13016044 | DUESE DAN 5,00 GPH 45° B NOZZLE DAN 5,00 GPH 45° B | GICLEUR DAN 5,00 GPH 45° B BOQUILLA DAN 5,00 GPH 45° B | UGELLO DAN 5,00 GPH 45° B | 1 |
| | | 13016045 | DUESE DAN 6,50 GPH 45° B NOZZLE DAN 6,50 GPH 45° B | GICLEUR DAN 6,50 GPH 45° B BOQUILLA DAN 6,50 GPH 45° B | UGELLO DAN 6,50 GPH 45° B | 1 |
| | | 13016047 | DUESE DAN 7,50 GPH 45° B NOZZLE DAN 7,50 GPH 45° B | GICLEUR DAN 7,50 GPH 45° B BOQUILLA DAN 7,50 GPH 45° B | UGELLO DAN 7,50 GPH 45° B | 1 |
| | | 13016048 | DUESE DAN 8,50 GPH 45° B NOZZLE DAN 8,50 GPH 45° B | GICLEUR DAN 8,50 GPH 45° B BOQUILLA DAN 8,50 GPH 45° B | UGELLO DAN 8,50 GPH 45° B | 1 |
| | | 13016049 | DUESE DAN 10,00 GPH 60° B NOZZLE DAN 10,00 GPH 60° B | GICLEUR DAN 10,00 GPH 60° B BOQUILLA DAN 10,00 GPH 60° B | UGELLO DAN 10,00 GPH 60° B | 1 |
| | | 13016050 | DUESE DAN 11,00 GPH 60° B NOZZLE DAN 11,00 GPH 60° B | GICLEUR DAN 11,00 GPH 60° B BOQUILLA DAN 11,00 GPH 60° B | UGELLO DAN 11,00 GPH 60° B | 1 |
| | | 13016053 | DUESE DAN 4,50 GPH 60° B NOZZLE DAN 4,50 GPH 60° B | GICLEUR DAN 4,50 GPH 60° B BOQUILLA DAN 4,50 GPH 60° B | UGELLO DAN 4,50 GPH 60° B | 1 |
| | | 13016054 | DUESE DAN 5,50 GPH 60° B NOZZLE DAN 5,50 GPH 60° B | GICLEUR DAN 5,50 GPH 60° B BOQUILLA DAN 5,50 GPH 60° B | UGELLO DAN 5,50 GPH 60° B | 1 |
| | | 13016056 | DUESE DAN 6,50 GPH 60° B NOZZLE DAN 6,50 GPH 60° B | GICLEUR DAN 6,50 GPH 60° B BOQUILLA DAN 6,50 GPH 60° B | UGELLO DAN 6,50 GPH 60° B | 1 |
| | | 13016058 | DUESE DAN 7,50 GPH 60° B NOZZLE DAN 7,50 GPH 60° B | GICLEUR DAN 7,50 GPH 60° B BOQUILLA DAN 7,50 GPH 60° B | UGELLO DAN 7,50 GPH 60° B | 1 |
| | | 13016059 | DUESE DAN 8,50 GPH 60° B NOZZLE DAN 8,50 GPH 60° B | GICLEUR DAN 8,50 GPH 60° B BOQUILLA DAN 8,50 GPH 60° B | UGELLO DAN 8,50 GPH 60° B | 1 |
| | | 13023430 | DUESE DAN 11,00 GPH 45° B NOZZLE DAN 11,00 GPH 45° B | GICLEUR DAN 11,00 GPH 45° B BOQUILLA DAN 11,00 GPH 45° B | UGELLO DAN 11,00 GPH 45° B | 1 |
| | | 65300630 | DUESE DAN 5,00 GPH 60° B NOZZLE DAN 5,00 GPH 60° B | GICLEUR DAN 5,00 GPH 60° B BOQUILLA DAN 5,00 GPH 60° B | UGELLO DAN 5,00 GPH 60° B | 1 |
| | | 65300688 | DUESE DAN 12,00 GPH 60° B NOZZLE DAN 12,00 GPH 60° B | GICLEUR DAN 12,00 GPH 60° B BOQUILLA DAN 12,00 GPH 60° B | UGELLO DAN 12,00 GPH 60° B | 1 |

|  |  |  |  |  |  |
|---|---|---|---|---|---|
| 1005 | 65326951 | ВОЗДУ.КАМ. 318X414X167+ВОЗДУ.ЗАС.МЕТ.+КР HAVA KUTU. 318X414X167+METAL HAV.KL.+KAP | CAIXA AR 318X414X167+ FLAP AR MET.+TAMPA | KOMOR.POW. 318X414X167+PRZE.POW.MET.+POK | 1 |
| 1006 | 65326224 | КОЖУХ ПРОТОКА HAVA KILAVUZU | GUIA AR | PRZEWODNIK POWIETRZA | 1 |
| 1010 | 13009641 | ИЗОЛЯЦИЯ ВОЗДУХОЗАБОРНИКА HAVA KUTUSU YALITIMI | ISOLAMENTO CAIXA DE ENTRADA DE AR | USZCZELKA SKRZYNKI POWIETRZA | 1 |
| 1011 | 13009640 | ПРОКЛАДКА/ВОЗДУШН.КАМЕРА 109X6X7 ПРОФИЛ. CONTASI/HAVA KUTUSU 109X6X7 PROFILLI | GAXETA/CAIXA DE AR 109X6X7 PERFILADO | USZCZELKA/KOMORA POWIET. 109X6X7 PROFIL. | 1 |
| 1012 | 13009642 | КРЫШКА 80X143X47/ВОЗДУШНАЯ КАМЕРА KAPAK 80X143X47/HAVA KUTUSU | TAMPA 80X143X47/CAIXA DE AR | POKRYWA 80X143X47/KOMORA POWIETRZA | 1 |
| 1015 | 65326271 | КОРПУС 565X522X133 D156 NC95-120/V5 KARTER 565X522X133 D156 NC95-120/V5 | CARCAÇA 565X522X133 D156 NC95-120/V5 | OBUDOWA 565X522X133 D156 NC95-120/V5 | 1 |
| 1020 | 13009645 | ЗАСЛО.РЕЦ.ВОЗ. R176/87+СПОЙ. H132 ЧЕРНЫЙ HAVA DÖN. R176/87+SPOILERI H132 SİYAH | RECICLAGEM AR R176/87+SPOILER H132 PRETO | RECYRK.POW. R176/87+SPOJLER H132 CZARNY | 1 |
| | 13009646 | ЗАСЛО.РЕЦ.ВОЗ. R176/87+СПОЙ. H106 БЕЛАЯ HAVA DÖN. R176/87+SPOILERI H106 BEYAZ | RECICL. AR R176/87+SPOILER H106 BRANCO | RECYRK.POW. R176/87+SPOJLER H106 BIAŁY | 1 |
| 1025 | 65301017 | ЗАСЛО.РЕЦ.ВОЗ. 135X115X40 R16/VG5-NC120 HAVA GERI DÖN. 135X115X40 R16/VG5-NC120 | RECICLAGEM AR 135X115X40 R16/VG5-NC120 | RECYRK.POW. 135X115X40 R16/VG5-NC120 | 1 |
| 1040 | 13016845 | МУФТА ПРОПУСКА ПРОВОДА/КАРТЕР KABLO KANALI/KARTER | PASSA-CABOS/CAIXA | PRZELOTKA PRZEWODU/OBUDOWA | 1 |
| 1050 | 13014117 | ВОЗДУШНАЯ ЗАСЛОНКА 232X154+ПРУЖИНА+РЫЧАГ HAVA Klapesi 232X154+RÖSOR+KOLONU | FLAP DA AR 232X154+MOLA+AVALANCA | PRZEPUSTNICA POW. 232X154+SPREZYNA+DŹWIG. | 1 |
| 1051 | 13011751 | ПРУЖИНА СЕРАЯ/ВОЗД. YAYI/GRI HAVA Klapesi | MOLA ALETA DE AR CINZENTA | SPRĘŻYNA/PRZEPUST. POWIETR. SZARY | 1 |
| 1055 | 65301071 | СОЕДИНЕНИЕ В СБОРЕ L320/STE 4,5 B0 DONANIMLI BAĞLANTI L320/STE 4,5 B0 | ACOPLAMENTO COMPLETO L320/STE 4,5 B0 | SPRZĘGŁO Z OSPRZĘTE L320/STE 4,5 B0 | 1 |
| 1070 | 13009649 | РАБОЧЕЕ КОЛЕСО D240X82 D19 TÜRBİN D240X82 D19 | TURBINA D240X82 D19 | WIMIK D240X82 D19 | 1 |
| 1075 | 13018809 | МОНТ.ПАНЕЛ ДВИГ. РАБО. КОЛ. /V5-6/NC95-210 MOTOR MONTAJ PLAKASI TÜRB./V5-6/NC95-210 | PLACA MONTAGEM MOTOR TURB./V5-6/NC95-210 | PŁYTA MONTAŻ. SILNIKA WIMIK/V5-6/NC95-210 | 1 |
| 1090 | 65300527 | СЕРВОДВИГАТ. STE 4,5 B0.37/6-R +КАБЕ. L600 SERVOMOTOR STE 4,5 B0.37/6-R KABLO L600 | SERVOMOTOR STE 4,5 B0.37/6-R +CABO L600 | SERVOMOTOR STE 4,5 B0.37/6-R +KABEL L600 | 1 |
| 1091 | 65326229 | СЕРВОДВИГАТЕЛЬ STE 4,5 B0.37/6-L+КАБ. L900 SERVOMOTOR STE 4,5 B0.37/6-L | SERVOMOTOR STE 4,5 B0.37/6-L+CABO L900 | SERVOMOTOR STE 4,5 B0.37/6-L+CABLE L900 | 1 |
| 1092 | 65326223 | КРЫШКА 169X93X67/СЕРВОДВИГАТЕЛЬ KAPAK 169X93X67/SERVOMOTOR | TAMPA 169X93X67/SERVOMOTOR | POKRYWA 169X93X67/SERVOMOTOR | 1 |
| 1093 | 65326225 | ВОЗДУШНАЯ ЗАСЛОНКА 234/228X154 +ИНДИКАТ. HAVA Klapesi 234/228X154 + GÖSTERGE | FLAP DA AR 234/228X154 + INDICADOR | PRZEPUSTNICA POW. 234/228X154 + WSKAŹNIK | 1 |
| 1100 | 65301016 | КОЖУХ СЕРЫЙ 590X547X476+ВИНТ/ V 5-6 KAPAĞI GRI 590X547X476+VIDASI/ V 5-6 | COBERTURA CINZA 590X547X476+PARAF. /V 5-6 | OSŁONA SZARY 590X547X476+SRUBA/ V 5-6 | 1 |
| 1105 | 13009772 | ПРОКЛАДКА/КОЖУХ 10X3 L1000 CONTASI/KAPAĞI 10X3 L1000 | GAXETA/COBERTURA 10X3 L1000 | USZCZELKA/OSŁONA 10X3 L1000 | 1 |
| 1111 | 65300519 | ВИНТ С ПЛОСКОЙ ГОЛОВКОЙ M5X15 DÜZ BAŞLI VIDA M5X15 | PARAFUSO CABEÇA PLANA M5X15 | ŚRUBA Z ŁBEM NITOWYM PŁASKIM M5X15 | 1 |
| 1150 | 13010016 | КОНДЕНСАТОР 6,3µF 2P 3mm KONDENSATOR 6,3µF 2P 3MM | CAPACITOR 6,3µF 2P 3mm | KONDENSATOR 6,3µF 2P 3MM | 1 |
| | 13011117 | КОНДЕНСАТОР 4µF 2P 3mm KONDENSATOR 4µF 2P 3MM | CAPACITOR 4µF 2P 3mm | KONDENSATOR 4µF 2P 3MM | 1 |
| 1160 | 13009654 | ДВИГАТЕЛЬ 1,5 кВт 230/400 В D19 + РАЗЪЕМ 1,5KW 230/400V D19 MOTOR +PRIZ | MOTOR 1,5KW 230/400V D19+PLUGUE | SILNIK 1,5 KW 230/400 V D19+GNIAZDO | 1 |
| 1165 | 13011607 | ДВИГАТЕЛЬ 0,16KW 230V GMP 0,16KW 230V GMP MOTOR | MOTOR 0,16KW 230V GMP | SILNIK 0,16KW 230 V GMP | 1 |
| 1170 | 65074172 | СЦЕПЛЕНИЕ D18/14,7/11X22НАСОС/ЭЛЕКТРОДВ. KARLİN D18/14,7/11X22 POMPA/MOTORU | ACOPLAMENTO D18/14,7/11X22 BOMBA/MOTOR | ŁĄCZNIK D18/14,7/11X22 POMPA /SILNIK | 1 |
| 1175 | 13011006 | НАСОС A2L 95 D 9702 POMPA A2L 95 D 9702 | BOMBA DE COMBUSTÍVEL A2L 95 D 9702 | POMPA A2L 95 D 9702 | 1 |
| 1180 | 13011007 | ФИЛЬТР ТОПЛИВА H20-150µ /НАСОС AT2-A2L FILTRE OIL H20-150µ /POMPA AT2-A2L | FILTRO OIL H20-150µ /BOMBA AT2-A2L | FILTR OIL H20-150µ /POMPA AT2-A2L | 1 |
| 1185 | 13010006 | ОБОМТКА SUN НАСОС AS-AP-AL-AT-A2L BOBIN X POMPA SUN AS-AP-AL-AT-A2L | BOBINA SUN BOMBA AS-AP-AL-AT-A2L | CEWKA X POMPA SUN AS-AP-AL-AT-A2L | 1 |
| 1195 | 13000969 | ТРУБКИ НАСОС/ДЕРЖАТЕЛЬ ФОРСУНКИ POMPA BORUSU/PÜSKÜRTME MEMESİ TAŞIYICI | TUBOS BOMBA/LINHA BOCAL | PRZEWÓDY POMPA/UKŁAD DYSZY | 1 |
| 1196 | 13018327 | ТРУБКА НАСОС/ДЕРЖАТЕЛЬ ФОРСУНКИ 2СТУПЕНЬ POMPA BORUSU/PÜSKÜ. MEMESİ TAŞIY. 2.ORAN | TUBO BOMBA/LINHA BOCAL 2 ESTÁGIOS | PRZEWÓD POMPA/UKŁAD DYSZY 2. STOPIEŃ | 1 |
| 1200 | 13009815 | ШЛАНГ DN8 G1/2M M16X38 90° L1500 ESNEK DN8 G1/2M M16X38 90° L1500 | FLEXIVEL DN8 G1/2M M16X38 90° L1500 | PRZEWÓD GIĘTKI DN8 G1/2M M16X38 90° L1500 | 1 |
| 1205 | 65301276 | ПЛИТА ДВИГАТЕЛЬ/НАСОС 275X200 D115 MOTORU PLAKA/POMPA 275X200 D115 | CHAPA MOTOR/BOMBA 275X200 D115 | PŁYTA SILNIK/POMPA 275X200 D115 | 1 |
| 1240 | 13009651 | РОЗЕТКА ВОЗДУШН. ДАВ. DIF. НЕОБХО. D0,7 L107 PRIZ HAVA BAS. DIF. BAĞLANTI ELEM. D0,7L107 | TOMADA PRESSÃO AR DIFF. TUBEIRA D0,7 L107 | WTYCZKA CIŚNIEN. POW. DIF. PRZYST. D0,7 L107 | 1 |
| 1250 | 13020723 | КРОНШТЕЙН ПНЕВМОРЕЛЕ D32 HAVA BASINÇ SALTERİ MESNEDİ D32 | BASE MANÓSTATO AR D32 | WSPORNIK CZUJNIKA CIŚNI. POWIET. D32 | 1 |

|  |  |   |   |   |  |
|---|---|--|--|--|---|
| 1260 | 65300991 | РЕЛЕ ДАВЛЕНИЯ ВОЗДУХ HUBA 604 1-10MBAR HAVA BASINÇ ŞALTERİ HUBA 604 1-10MBAR | MANÓSTATO DE AR 604 1-10MBAR | CZUJNIK CIŚNIENIA POWIETR. HUBA 604 1-10 | 1 |
| | 65301048 | ЕЛЕ ДАВЛЕНИЯ ВОЗДУХ HUBA 604 5-20MBAR HAVA BASINÇ ŞALTERİ HUBA 5-20MBAR | MANÓSTATO DE AR HUBA 604 5-20MBAR | CZUJNIK CIŚNIENIA POWIETR. HUBA 5-20MBAR | 1 |
| 1501 | 65300878 | БЛОК УПРАВЛЕНИЯ TCH 211.00 KUTU TCH 211.00 | PROGRAMADOR TCH 211.00 | MODUŁ TCH 211.00 | 1 |
| 1504 | 65300997 | КАБЕЛЬ ТРАНСФО РОЗЖИГА+PL.3P/RAST3P L740 KABLOSU ATEŞL. TRAFO.+PLUG3P/RAST3P L740 | CABO TRANSFO IGNIÇÃO+TOM.3P/RAST3P L740 | PRZEWÓD TRANSFO ZAPŁ.+PLUG3P/RAST3P L740 | 1 |
| 1505 | 65301049 | КАБЕЛЬ ЭЛЕКТРОКЛ.+PL.3P/RAST3P L1000V1 KABLOSU ELECTROVANA+PL.3P/RAST3P L1000V1 | CABO EL.VALVULA+TOM. 3P/RAST3P L1000V1 | PRZEWÓD EL.ZAWOR+PLUG3P/RAST3P L1000V1 | 1 |
| 1506 | 65301050 | КАБЕЛЬ ЭЛЕКТРОКЛ.+PL.3P/RAST3P L1000V2 KABLOSU ELECTROVANA+PL.3P/RAST3P L1000V2 | CABO EL.VALVULA+TOM. 3P/RAST3P L1000V2 | PRZEWÓD EL.ZAWOR+PLUG3P/RAST3P L1000V2 | 1 |
| 1525 | 65301109 | ДИСПЛЕЙ БЛОК УПРАВЛЕНИЯ TCG-TCH REL. 2.2 EKRAN İÇİN KUTU TCG-TCH R2.2 + KABLOSU | DISPLAY/PROGRAMADOR TCG-TCH RELEASE 2.2 | WYŚWIETLACZ/MODUŁ TCG-TCH R2.2 + PRZEWÓD | 1 |
| 1550 | 13009778 | КОНТАКТОР SCH T.LC1-K0910M7 KONTAKTÖR SCH T.LC1-K0910M7 | CONTACTOR SCH T.LC1-K0910M7 | STYCZNIK SCH T.LC1-K0910M7 | 1 |
| 1560 | 13020693 | ТЕПЛОЕ РЕЛЕ SCH LR2K 3,7-5,5A TERMİK RÖLE SCH LR2K 3,7-5,5A | RELE TERM. SCH LR2K 3,7-5,5A | PRZEKAŻ.TERMICZN. SCH LR2K 3,7-5,5A | 1 |
| 1600 | 13009663 | ТРАНСФО РОЗЖИГА EBI 2X7,5 230V ATEŞLEME TRAFO. EBI 2X7,5 230V | TRANSFO IGNIÇÃO EBI 2X7,5 230V | TRANSFO ZAPŁONOWY EBI 2X7,5 230V | 1 |
| 1610 | 13009661 | ЗАТВОР/ПУЛЬТ TAPA / KONTROL PANELİ | OBTURADOR INTERFACE | PRZEPUSTNICA / PULPIT | 1 |
| 1620 | 65300993 | МУФТА ПРОКЛАДКИ ПРОВОДА D54/D47/D36 KABLO KANALI D54/D47/D36 | PASSA-CABOS D54/D47/D36 | PRZELOTKA PRZEWODU D54/D47/D36 | 1 |
| 1630 | 65300992 | ПАНЕЛЬ УПРАВЛЕНИЯ KONTROL PANELİ | PAINEL DE CONTROLE | TABLICA WSKAŹNIKÓW | 1 |
| 1640 | 13016457 | ДЕРЖАТЕЛЬ ПРЕДОХР-ЛЯ + ПРЕДОХР-ЛЬ 6,3 A SİGORTA TAŞIYICI + 6.3A SİGORTA | PORTA-FUSÍVEL+FUSÍVEL 6,3A | OPRAWA BEZPIECZNIKOWA +BEZPIECZNIK 6,3 A | 1 |
| 1645 | 13016028 | ПРЕДОХРАНИТЕЛЬ 5X20 FST 6,3A 250V SIGORTA 5X20 FST 6,3A 250V | FUSÍVEL 5X20 FST 6,3A 250V | BEZPIECZNIKA 5X20 FST 6,3A 250V | 1 |
| 1650 | 13010007 | ПЕРЕКЛЮЧАТЕЛЬ ON-OFF ŞALTER | INTERRUPTOR ON-OFF | PRZEŁĄCZNIK | 1 |
| 1660 | 13014009 | ПЕРЕКЛЮЧАТЕЛЬ ŞALTER | INTERRUPTOR - FUNCIONAMENTO | PRZEŁĄCZNIK | 1 |
| 1670 | 65300999 | КАБЕЛЬ GMP+PLUG3P/RAST3P L920 KABLOSU GMP+PLUG3P/RAST3P L920 | CABO GMP+TOMADA 3P/RAST3P L920 | PRZEWÓD GMP+PLUG3P/RAST3P L920 | 1 |
| 1680 | 65301000 | КАБЕЛЬ ЭЛ.ДВИГАТЕЛЬ+P.WIE. 4P 4X1,5 L560 MOTORU KABLOSU+PLUGWIE. 4P 4X1,5 L560 | CABO MOTOR+TOMADA WIEL.4P 4X1,5 L560 | PRZEWÓD SILNIK+PLUGWIE. 4P 4X1,5 L560 | 1 |
| 1920 | 65326516 | ФОТОРЕЗИСТОР QRB1A LG.570+RAST5 HÜCRE QRB1A LG.570+RAST5 | CELULA QRB1A LG.570+RAST5 | FOTOKOMÓRKA QRB1A LG.570+RAST5 | 1 |
| | 65328029 | ФОТОРЕЗИСТОР FTEB 3 F L610 RAST5 HÜCRE FTEB 3 F L610 RAST5 | CELULA FTEB 3 F L610 RAST5 | FOTOKOMÓRKA FTEB 3 F L610 RAST5 | 1 |
| 2020 | 13011594 | ДЕФЛЕКТОР D125/40 9SL R DEFLEKTOR D125/40 9SL R | DEFLECTOR D125/40 9SL R | DEFLEKTOR D125/40 9SL R | 1 |
| | 13017115 | ДЕФЛЕКТОР D114/60 6SL R DEFLEKTOR D114/60 6SL R | DEFLECTOR D114/60 6SL R | DEFLEKTOR D114/60 6SL R | 1 |
| 2030 | 13007852 | КНОПКА D35/20X60 M8+ВЕРНЬ D12/8X48+CLIPS BUTONU D35/20X60 M8+ON.GÖS.D12/8X48+CLIP | BOTÃO D35/20X60 M8+VERNÖN.D12/8X48+CLIPS | PRZYCISK D35/20X60 M8+NON.D12/8X48+CLIPS | 1 |
| 2045 | 13007907 | БЛОК ЭЛЕКТРОДОВ 25X48 d4D1,5X22 45°+ВИНТ ELEKT.BLOĞU 25X48 D4D1,5X22 45° + VIDASI | BLOCO ELETRODO 25X48 d4D1,5X22 45°+PARAF | BLOK ELEKTROD 25X48 D4D1,5X22 45° +ŞRUBA | 1 |
| | 13009726 | БЛОК ЭЛЕКТРОДОВ 27X55 d6,4D2X23 45°+ВИНТ ELEKTROD BLOĞU 27X55 d6,4D2X23 45°+VIDA. | BLOCO ELETROD.27X55 d6,4D2X23 45°+PARAF. | BLOK ELEKTROD 27X55 d6,4D2X23 45° +ŞRUBA | 1 |
| 2046 | 13010049 | ВИНТ С БУРТИКОМ M4/БЛОК ЭЛЕКТРОДОВ M4 OMUZLU VIDA/ELEKTROT BLOĞU | PARAFUSO M4/BLOCO DE ELÉTRODOS | ŞRUBA M4/BLOKADA ELEKTROD | 1 |
| 2047 | 13009725 | ФЛАНЕЦ 20X11X2,6 FIX. ЭЛЕКТРОД FLANŞI 20X11X2,6 FIX. ELEKTROD | FLANGE 20X11X2,6 FIX. ELETRODO | KOŁNIERZ 20X11X2,6 FIX. ELEKTRODA | 1 |
| 2050 | 13020327 | СМОТРОВОЕ ОКНО D20/18X10 RÖGAR CAMI D20/18X10 | VIGIA D20/18X10 | SZKŁO PODGLĄDU D20/18X10 | 1 |
| 2070 | 13010059 | КАБЕЛЬ РОЗЖИГА D4/D6,35 L850X2 ATEŞLEME KABLOSU D4/D6,35 L850X2 | CABO ENCENDIDO D4/D6,35 L850X2 | PRZEWÓD ALU. D4/D6,35 L850X2 | 1 |
| | 65301044 | КАБЕЛЬ РОЗЖИГА D4/D6,35 L1050X2 ATEŞLEME KABLOSU D4/D6,35 L1050X2 | CABO ENCENDIDO D4/D6,35 L1050X2 | PRZEWÓD ALU. D4/D6,35 L1050X2 | 1 |
| 2075 | 13009625 | РЕЗИНОВЫЙ КОЛПАЧОК D14/6X26/ЗАПАЛЬН. ПРО KAUÇUK BAŞLIK D14/6X26/ATEŞLEME KABLOSU | TAMPA BORRACHA D14/6X26/CABO DE IGNIÇÃO | ZAKRĘTKA PLASTIK D14/6X26/PRZEWÓD ALU. | 1 |
| 2100 | 65301038 | ГОЛОВ.СГОР.ТОП.L711 D125+ФОР.6,50+7,50 YANMA BAŞ.YAĞ L711 D125+NOZ.6,50+7,50GPH | CABEÇA COMB.OLEO L711 D125+BOQ.6,5+7,5GP | GŁOWICA SP.OLEJ L711 D125+DYS.6,5+7,5GPH | 1 |
| | 65301039 | ГОЛОВКА СГОР.ТОПЛИВА L931 D125/40-9SL. YANMA BAŞLIĞI YAĞ L931 D125/40-9SL.CPL. | CABEÇA COMB.OLEO L931 D125/40-9SL.CPL. | GŁOWICA SPAL.OLEJ L931 D125/40-9SL.CPL. | 1 |
| | 65301040 | ГОЛОВ.СГОР.ТОП.L821 D125+ФОР.6,50+7,50 YANMA BAŞ.YAĞ L821 D125+NOZ.6,50+7,50GPH | CABEÇA COMB.OLEO L821 D125+BOQ.6,5+7,5GP | GŁOWICA SP.OLEJ L821 D125+DYS.6,5+7,5GPH | 1 |
| | 65301041 | ГОЛОВ.СГОР.ТОП.L711 D114+ФОР.8,50+7,50 YANMA BAŞ.YAĞ L711 D114+NOZ.8,50+7,50GPH | CABEÇA COMB.OLEO L711 D114+BOQ.8,5+7,5GP | GŁOWICA SP.OLEJ L711 D114+DYS.8,5+7,5GPH | 1 |

| |  | RU | | PT | | PL | |  |
|------|---|--|--|--|--|--|--|---|
| | | TR | | | | | | |
| | 65301042 | ГОЛОВ.СГОР.ТОП.L931 D114+ФОР.8,50+7,50 YANMA BAŞ.YAĞ L931 D114+NOZ.8,50+7,50GPH | | CABEÇA COMB.OLEO L931 D114+BOQ.8,5+7,5GP | | GŁOWICA SP.OLEJ L931 D114+DYS.8,5+7,5GPH | | 1 |
| | 65301043 | ГОЛОВ.СГОР.ТОП.L821 D114+ФОР.8,50+7,50 YANMA BAŞ.YAĞ L821 D114+NOZ.8,50+7,50GPH | | CABEÇA COMB.OLEO L821 D114+BOQ.8,5+7,5GP | | GŁOWICA SP.OLEJ L821 D114+DYS.8,5+7,5GPH | | 1 |
| 2101 | 13011595 | ЛИНИЯ ФОРСУНКИ D8 L711 M8 ТРУБКА DIST.33 PÜSKÜRTME M.HATTI D8 L711 M8 TUP.DIST.33 | | LÍNEA BOQUILLA D8 L711 M8 TUBO DIST.33 | | UKŁAD DYSZY D8 L711 M8 BORUSU DIST.33 | | 1 |
| | 13011596 | ЛИНИЯ ФОРСУНКИ D8 L931 M8 ТРУБКА DIST.33 PÜSKÜRTME M.HATTI D8 L931 M8 TUP.DIST.33 | | LÍNEA BOQUILLA D8 L931 M8 TUBO DIST.33 | | UKŁAD DYSZY D8 L931 M8 BORUSU DIST.33 | | 1 |
| | 13011597 | ЛИНИЯ ФОРСУНКИ D8 L821 M8 ТРУБКА DIST.33 PÜSKÜRTME M.HATTI D8 L821 M8 TUP.DIST.33 | | LÍNEA BOQUILLA D8 L821 M8 TUBO DIST.33 | | UKŁAD DYSZY D8 L821 M8 BORUSU DIST.33 | | 1 |
| 2105 | 65326167 | КРЫШКА ДИЗЕЛЬНОГО D168X39/C70-NC120H/VL5 KARAK YAKIT D168X39/C70-100-NC120H/VL5 | | TAMPA FUEL D168X39/C70-100-NC120H/VL5 | | POKRYWA OLEJU D168X39/C70-100H/VL5 | | 1 |
| 2140 | 13011601 | СОПЛО ГОРЕЛКИ D170/141/125 L305 BRÜLÖR BORUSU D170/141/125 L305 | | TUBO DO QUEIMADOR D170/141/125 L305 | | RURA PALNIKA D170/141/125 L305 | | 1 |
| | 13011602 | СОПЛО ГОРЕЛКИ D170/141/125 L525 BRÜLÖR BORUSU D170/141/125 L525 | | TUBO DO QUEIMADOR D170/141/125 L525 | | RURA PALNIKA D170/141/125 L525 | | 1 |
| | 13011603 | СОПЛО ГОРЕЛКИ D170/141/125 L415 BRÜLÖR BORUSU D170/141/125 L415 | | TUBO DO QUEIMADOR D170/141/125 L415 | | RURA PALNIKA D170/141/125 L415 | | 1 |
| | 65301045 | СОПЛО ГОРЕЛКИ D170/155 L305 BRÜLÖR BORUSU D170/155 L305 | | TUBO DO QUEIMADOR D170/155 L305 | | RURA PALNIKA D170/155 L305 | | 1 |
| | 65301046 | СОПЛО ГОРЕЛКИ D170/155 L525 BRÜLÖR BORUSU D170/155 L525 | | TUBO DO QUEIMADOR D170/155 L525 | | RURA PALNIKA D170/155 L525 | | 1 |
| | 65301047 | СОПЛО ГОРЕЛКИ D170/155 L415 BRÜLÖR BORUSU D170/155 L415 | | TUBO DO QUEIMADOR D170/155 L415 | | RURA PALNIKA D170/155 L415 | | 1 |
| 2150 | 13009619 | ПРОКЛАДКА/ФЛАНЕЦ ГОРЕЛКИ 228X220X10 D180 CONTASI/BRULOR FLANŞI 228X220X10 D180 | | GAXETA/FLANGE QUEIMADOR 228X220X10 D180 | | USZCZELKA/KOŁNIERZ PAL.228X220X10 D180 | | 1 |
| 2160 | 65326207 | ФИКС.ГОЛОВКА ФЛАНЦА D171 L321/VL5-NC120H FLANŞ SAB.BAŞLIĐI D171 L321/VL5-NC120 H | | FLANGE FIX.CABEÇA D171 L321/VL5-NC120H | | KOŁNIERZ UST.GŁOWICA D171L321/VL5-NC120H | | 1 |
| 2170 | 13007804 | ВИНТ M6 (ЛЕВ РЕЗЬБ) КРЕПЛ. ТРУБ ГОРЕЛКИ BRÜLÖR TÜPÜ M6 TESPİT VIDASI(SOLA DÖNÜŞ) | | PARAFUSO M6 (PASSO ESQ.) TUBO QUEIMADOR | | ŚRUBA M6 (LEWOSKRĘTNA) MOC. RURĘ PALNIKA | | 1 |
| 2400 | 13016045 | ФОРСУНКА DAN 6,50 GPH 45° B PÜSK. MEMESI DAN 6,50 GPH 45° B | | BOQUILLA DAN 6,50 GPH 45° B | | DYSZA DAN 6,50 GPH 45° B | | 1 |
| | 13016047 | ФОРСУНКА DAN 7,50 GPH 45° B PÜSK. MEMESI DAN 7,50 GPH 45° B | | BOQUILLA DAN 7,50 GPH 45° B | | DYSZA DAN 7,50 GPH 45° B | | 1 |
| | 13016048 | ФОРСУНКА DAN 8,50 GPH 45° B PÜSK. MEMESI DAN 8,50 GPH 45° B | | BOQUILLA DAN 8,50 GPH 45° B | | DYSZA DAN 8,50 GPH 45° B | | 1 |
| 5001 | 13016039 | ФОРСУНКА DAN 10,00 GPH 45° B PÜSK. MEMESI DAN 10,00 GPH 45° B | | BOQUILLA DAN 10,00 GPH 45° B | | DYSZA DAN 10,00 GPH 45° B | | 1 |
| | 13016042 | ФОРСУНКА DAN 4,50 GPH 45° B PÜSK. MEMESI DAN 4,50 GPH 45° B | | BOQUILLA DAN 4,50 GPH 45° B | | DYSZA DAN 4,50 GPH 45° B | | 1 |
| | 13016043 | ФОРСУНКА DAN 5,50 GPH 45° B PÜSK. MEMESI DAN 5,50 GPH 45° B | | BOQUILLA DAN 5,50 GPH 45° B | | DYSZA DAN 5,50 GPH 45° B | | 1 |
| | 13016044 | ФОРСУНКА DAN 5,00 GPH 45° B PÜSK. MEMESI DAN 5,00 GPH 45° B | | BOQUILLA DAN 5,00 GPH 45° B | | DYSZA DAN 5,00 GPH 45° B | | 1 |
| | 13016045 | ФОРСУНКА DAN 6,50 GPH 45° B PÜSK. MEMESI DAN 6,50 GPH 45° B | | BOQUILLA DAN 6,50 GPH 45° B | | DYSZA DAN 6,50 GPH 45° B | | 1 |
| | 13016047 | ФОРСУНКА DAN 7,50 GPH 45° B PÜSK. MEMESI DAN 7,50 GPH 45° B | | BOQUILLA DAN 7,50 GPH 45° B | | DYSZA DAN 7,50 GPH 45° B | | 1 |
| | 13016048 | ФОРСУНКА DAN 8,50 GPH 45° B PÜSK. MEMESI DAN 8,50 GPH 45° B | | BOQUILLA DAN 8,50 GPH 45° B | | DYSZA DAN 8,50 GPH 45° B | | 1 |
| | 13016049 | ФОРСУНКА DAN 10,00 GPH 60° B PÜSK. MEMESI DAN 10,00 GPH 60° B | | BOQUILLA DAN 10,00 GPH 60° B | | DYSZA DAN 10,00 GPH 60° B | | 1 |
| | 13016050 | ФОРСУНКА DAN 11,00 GPH 60° B PÜSK. MEMESI DAN 11,00 GPH 60° B | | BOQUILLA DAN 11,00 GPH 60° B | | DYSZA DAN 11,00 GPH 60° B | | 1 |
| | 13016053 | ФОРСУНКА DAN 4,50 GPH 60° B PÜSK. MEMESI DAN 4,50 GPH 60° B | | BOQUILLA DAN 4,50 GPH 60° B | | DYSZA DAN 4,50 GPH 60° B | | 1 |
| | 13016054 | ФОРСУНКА DAN 5,50 GPH 60° B PÜSK. MEMESI DAN 5,50 GPH 60° B | | BOQUILLA DAN 5,50 GPH 60° B | | DYSZA DAN 5,50 GPH 60° B | | 1 |
| | 13016056 | ФОРСУНКА DAN 6,50 GPH 60° B PÜSK. MEMESI DAN 6,50 GPH 60° B | | BOQUILLA DAN 6,50 GPH 60° B | | DYSZA DAN 6,50 GPH 60° B | | 1 |
| | 13016058 | ФОРСУНКА DAN 7,50 GPH 60° B PÜSK. MEMESI DAN 7,50 GPH 60° B | | BOQUILLA DAN 7,50 GPH 60° B | | DYSZA DAN 7,50 GPH 60° B | | 1 |
| | 13016059 | ФОРСУНКА DAN 8,50 GPH 60° B PÜSK. MEMESI DAN 8,50 GPH 60° B | | BOQUILLA DAN 8,50 GPH 60° B | | DYSZA DAN 8,50 GPH 60° B | | 1 |
| | 13023430 | ФОРСУНКА DAN 11,00 GPH 45° B PÜSK. MEMESI DAN 11,00 GPH 45° B | | BOQUILLA DAN 11,00 GPH 45° B | | DYSZA DAN 11,00 GPH 45° B | | 1 |
| | 65300630 | ФОРСУНКА DAN 5,00 GPH 60° B PÜSK. MEMESI DAN 5,00 GPH 60° B | | BOQUILLA DAN 5,00 GPH 60° B | | DYSZA DAN 5,00 GPH 60° B | | 1 |
| | 65300688 | ФОРСУНКА DAN 12,00 GPH 60° B PÜSK. MEMESI DAN 12,00 GPH 60° B | | BOQUILLA DAN 12,00 GPH 60° B | | DYSZA DAN 12,00 GPH 60° B | | 1 |

